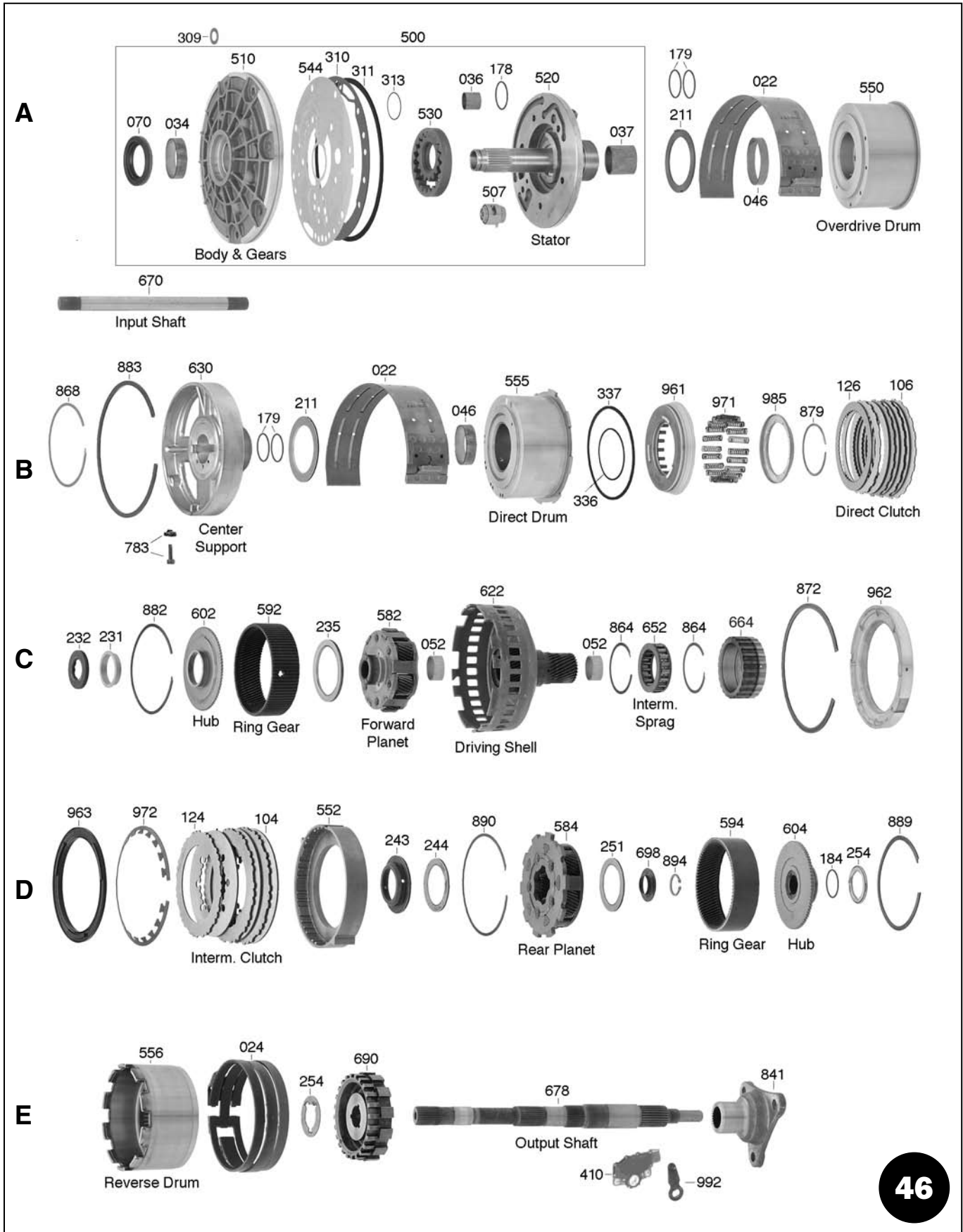
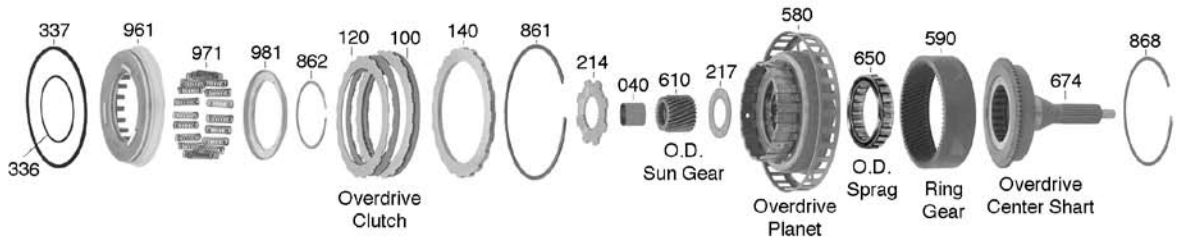


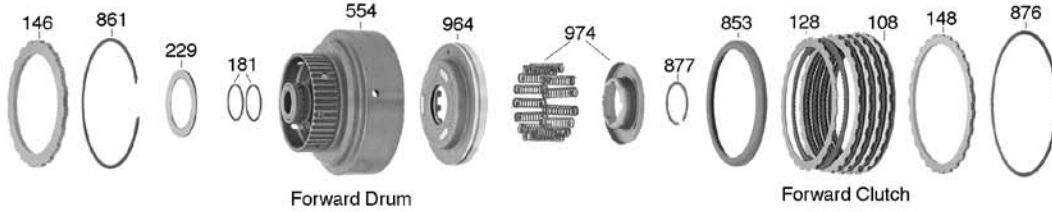
FORD 5R55N, 5R55S, 5R55W



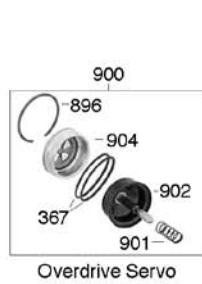
FORD 5R55N, 5R55S, 5R55W



F

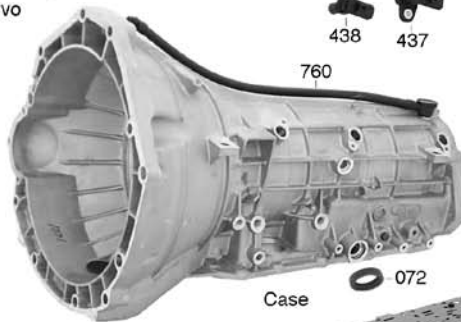


G

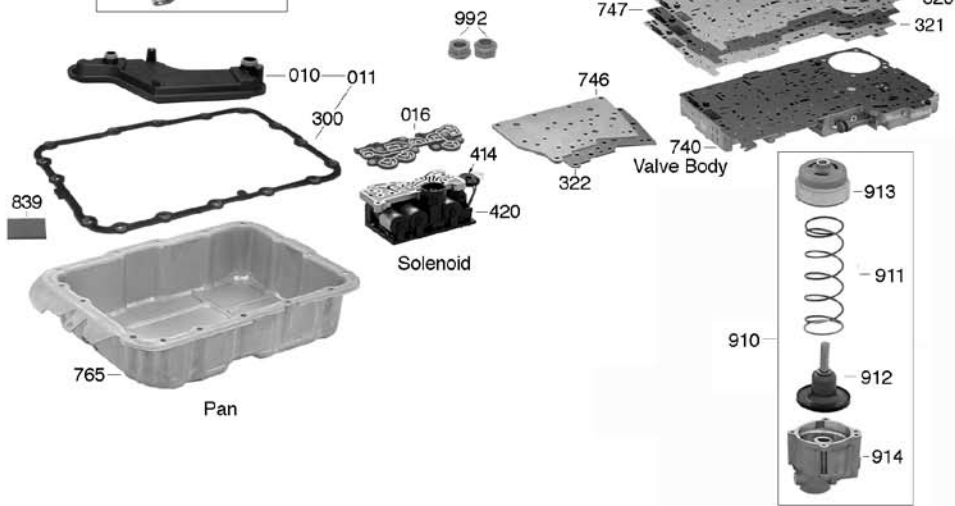


Deluxe Kit	008
Compliance Kit	007
Master Kit	006
Less Steel Kit	004
Overhaul Kit	002
Bushing Kit	030
Washer Kit	200
Bearing Kit	201
Technical Manual	400
Pump Part	507
Valve Body Parts	741
Case Parts	761

Note: Not all items are available for all transmissions



H



FORD 5R55N, 5R55S, 5R55W



5R55N (99-Up) Lincoln LS Jaguar X200 5R55W/S (02-Up) Explorer

ILL.	DESCRIPTION	QTY.	YEAR	PART NO.	REFERENCE NO.
DELUXE KITS (SUPER KITS)					
008H	5R55N (w/ Bonded Pistons).....	1	99-Up	46008	N/A
008H	5R55W, 5R55S (w/ Bonded Pistons).....	1	02-Up	46008A	N/A
COMPLIANCE KITS (CALIFORNIA KITS)					
007H	5R55N (w/ Bonded Pistons).....	1	99-Up	46007	N/A
007H	5R55W, 5R55S (w/ Bonded Pistons).....	1	02-Up	46007A	N/A
MASTER OVERHAUL KITS (WITH STEELS)					
006H	5R55N (w/ Bonded Pistons).....	1	99-Up	46006	K2700N
006H	5R55W, 5R55S (w/ Bonded Pistons).....	1	02-Up	46006A	K2700P
LESS STEEL KITS					
004H	5R55N (w/ Bonded Pistons).....	1	99-Up	46004	K2700N-LS
004H	5R55W, 5R55S (w/ Bonded Pistons).....	1	02-Up	46004A	K2700P-LS
OVERHAUL KITS (W/ RINGS & SEALS)					
002H	5R55N (w/o Bonded Pistons).....	1	99-Up	46002B	K27900N
002H	5R55W, 5R55S (w/o Bonded Pistons).....	1	02-Up	46002C	K27900P
FILTER KITS					
011H	5R55N (Plastic) (0.4" Pickup Tube).....	1	99-Up	46011	FK27800R
011H	5R55S (Metal/Plastic) (1.3" Pickup Tube) (Car).....	1	03-Up	46011B	FK27800T
011H	5R55S/W (Metal/Plastic) (2.4" Pickup Tube) (SUV).....	1	02-Up	46011A	FK27800S
FILTERS					
010H	5R55N (Plastic) (0.4" Pickup Tube).....	1	99-02	46010	27800R
010H	5R55S (Metal/Plastic) (1.3" Pickup Tube) (Car).....	1	03-Up	46010B	27800T
010H	5R55S/W (Metal/Plastic) (2.4" Pickup Tube) (SUV).....	1	02-Up	46010A	27800S
016H	Screen / Gasket, Solenoid Block (5R55N).....	1	99-Up	46016	27713
016H	Screen / Gasket, Solenoid Block (5R55W, 5R55S).....	1	02-Up	46016A	27713B
BANDS					
Prefix Key: B = Borg Warner, A = OEM (Exc. BW), N = All Other New, R = Relined					
022AB	Intermediate & Overdrive (5R55N).....	1	99-Up	56022E	27320H
022AB	Intermediate & Overdrive (5R55W, 5R55S) (Hi-Energy).....	1	02-Up	46022	27320K
024E	Low/ Reverse (Split).....	1	99-Up	46024	27520N
BUSHINGS					
030H	Bushing Kit (All) (5R55N Ext Hsg Bush was not available as of 09/06).....	1	99-Up	46030	N/A
034A	Converter Housing (Babbitt).....	1	99-Up	56034	27001B
METAL CLAD SEALS					
070A	Front Pump (Rubber Coated) (No Flange).....	1	99-Up	56070B	27601E
072H	Main Control Lever Seal.....	1	99-Up	36072	6507A

FORD 5R55N, 5R55S, 5R55W

ILL.	DESCRIPTION	QTY.	YEAR	PART NO.	REFERENCE NO.
METAL CLAD SEALS (Cont.)					
074H	Extension Housing (w/ Boot) (5R55N)	1	99-Up	46074	27695N
074H	Extension Housing (w/ Boot) (5R55W, 5R55S)	1	02-Up	46074A	53695F
074H	Adapter Housing (4wd)	1	02-Up	46074B	27695W
FRICTION PLATES					
100F	Overdrive	2	99-Up	56100B	27504B
104D	Intermediate (1 Sided, 24 Internal T).....	4	99-Up	46104	27604M
124D	Intermediate (1 Sided, 33 External T).....	4	99-Up	46124	27604N
106B	Direct (1 Sided, 48 Internal T).....	5	99-Up	46106	27304M
126B	Direct (1 Sided, 30 External T).....	5	99-Up	46126	27304N
108G	Forward	5	99-Up	46108	27404N
STEEL PLATES					
120F	Overdrive	2	99-Up	56120B	27305B
128G	Forward	5	99-Up	46128	27505N
PRESSURE PLATES					
Prefix Key: D = OEM, A = Aftermarket New, R = Remanufactured					
140F	Direct & Overdrive .200"	1	99-Up	56140B	27307C
148G	Forward	1	99-Up	46148	N/A
VALVE BODY RECALIBRATION KITS					
165H	Shift Kit®, 5R55N 99-02, 5R55W/S 02-04 (Transgo®) (w/ Pump Alignment Tool)....	1	99-04	T46165	K27908W
THRUST WASHERS					
211AB	Pump Cover & Center Support (1.91mm) (Red)	1	99-Up	46211N	27209SA
211AB	Pump Cover & Center Support (2.10mm) (Black)	1	99-Up	46211R	27209NA
211AB	Pump Cover & Center Support (1.75mm) (Brown).....	1	99-Up	46211X	27209MA
211AB	Pump Cover & Center Support (2.25mm) (Orange).....	1	99-Up	46211Y	27209PA
211AB	Pump Cover & Center Support (2.45mm) (Purple).....	1	99-Up	46211Z	27209RA
214F	Overdrive Sun Gear (Star) (24 Inner Teeth).....	1	99-02	46214	27964P
214F	Overdrive Sun Gear (Star) (38 Inner Teeth).....	1	03-Up	46214A	27964T
BEARINGS					
235C	Bearing, Front Hub to Planet	1	03-Up	46235	27407P
GASKETS & O-RINGS					
300H	Gasket, Pan (Molded Rubber)	1	99-Up	46300W	13720AR
305H	Gasket, Extension Housing	1	99-Up	46305	13709N
310A	Gasket, Pump	1	99-Up	46310	13702N
311A	O-Ring, Front Pump	1	99-Up	46311	13701N
320H	Gasket, VB Upper (5R55N).....	1	99-Up	46320	13539
320H	Gasket, VB Upper (5R55W, 5R55S).....	1	02-Up	46320A	13539B
320H	Bonded Gasket w/ Plate (5R55N)	1	99-Up	46320E	13814N
320H	Bonded Gasket w/ Plate (5R55W, 5R55S) Explorer, Mountaineer, Aviator	1	02-03	46320F	13814P
320H	Bonded Gasket w/ Plate (5R55W, 5R55S) Explorer, Mountaineer, Aviator, Mustang.....	1	04-Up	46320H	13814R
320H	Bonded Gasket w/ Plate (5R55W, 5R55S) 3.9L Lincoln & T-Bird.....	1	03-Up	46320G	13814Q
320H	Bonded Gasket w/ Plate (5R55W, 5R55S) 3.0L Lincoln	1	04-Up	46320J	13814S
321H	Gasket, VB Lower (5R55N)	1	99-Up	46321	13549
321H	Gasket, VB Lower (5R55W, 5R55S)	1	02-Up	46321A	13549B
381	O-Ring, Inner Pump Gear	1	99-Up	56381	13717

5R55N

FORD 5R55N, 5R55S, 5R55W

ILL.	DESCRIPTION	QTY.	YEAR	PART NO.	REF NO.
TECHNICAL MANUALS					
400H	Tech Manual (5R55N)	1	99-Up	46400	27Y06
400H	Tech Manual (5R55W, 5R55S)	1	99-Up	46400A	27Y07
400H	Rebuild Manual - Ford (5R55N, 5R55W, 5R55S)	1	99-Up	46400C	N/A
400H	ID, Diagnosis & Testing Manual - Ford (5R55N, 5R55W, 5R55S)	1	99-Up	46400B	N/A
ELECTRICAL COMPONENTS					
410	Switch, Neutral Safety (Outside Mounting Hole) (5R55N)	1	99-Up	46410	15A-222
410	Switch, Neutral Safety (Inside Mounting Hole) (5R55NW, 5R55S)	1	02-Up	46410A	15A-222B
411	Sensor, Fluid Pressure (5R55N)	1	99-Up	46411	20A-206
420H	Solenoid Block (5R55N)	1	99-Up	46420	31A-115
420H	Solenoid Block (5R55W, 5R55S) (Can use 46420B)	1	02-03	46420A	31A-115B
420H	Solenoid Block (5R55W, 5R55S) (Replaces 46420A)	1	02-Up	46420B	31A-115D
436H	Sensor, Output Speed (VSS) (5R55N)	2-3	99-Up	46436	20A-222
437H	Sensor, Fluid (TOT) (5R55N)	1	99-Up	46437	20A-206
438H	Sensor, Input Speed (TSS) (5R55N)	1	99-Up	46438	20A-257
HARD PARTS					
Prefix Key: D = OEM, A = Aftermarket New, R = Remanufactured					
PUMPS					
500A	Pump Assembly (uses 27 T OD Sun Gear)	1	99-01	46500	27200P-R
500A	Pump Assembly (uses 38 T OD Sun Gear)	1	02-Up	46500A	27200P
507H	Valve, Line Pressure Relief (OEM Type)	1	99-Up	D46507A-1	27456F
507H	Valve, Line Pressure Relief (Superior)	1	99-Up	A46507A-1	27456
DRUMS & CLUTCH HUBS					
550A	Overdrive	1	99-Up	46550	27965P
552D	Intermediate (5R55N)	1	99-Up	46552	N/A
554G	Forward	1	99-Up	46554	27400P
555B	Direct (4 Clutch)	1	99-Up	46555	N/A
555B	Direct (5 Clutch)	1	99-Up	46555A	27300P
556E	Reverse (w/ Sprag)	1	99-Up	46556	K27945P
PLANETS					
580F	Overdrive (25 T Pinion) (Used w/ 24 T Sun Gear)	1	99-Up	46580	27413P
580F	Overdrive (28 T Pinion) (Used w/ 38 T Sun Gear)	1	02-Up	46580A	27413T
582C	Front (6 Gears) (19 T) (Used w/ 47 T Sun Gear)	1	99-Up	46582	N/A
582C	Front (6 Gears) (23 T) (Used w/ 55 T Sun Gear)	1	99-Up	46582A	27412P
584D	Rear (5 Gears)	1	99-Up	46584	27950P
590F	Ring Gear, Overdrive (94 T) (Used w/ 28 T Sun Gear)	1	02-Up	46590A	K27970T
590F	Ring Gear, Overdrive (72 T) (Used w/ 25 T Sun Gear)	1	99-Up	56590B	K27970D
592C	Ring Gear, Front (85 T) (Used w/ 19 T Planet)	1	99-Up	46592	27409P
592C	Ring Gear, Front (100 T) (Used w/ 23 T Planet)	1	99-Up	46592A	N/A
594D	Ring Gear, Rear	1	99-Up	46594	27438P
602C	Hub, Forward Ring Gear	1	99-Up	46602	27408P
604D	Hub, Rear Ring Gear	1	99-Up	46604	27437P
SUN GEARS, SHELLS & SUPPORTS					
610F	Sun Gear, Overdrive (24 T) (Used w/ 25 T Planet)	1	99-01	56610	27966
610F	Sun Gear, Overdrive (38 T) (Used w/ 28 T Planet)	1	99-Up	46610A	27966T
622C	Shell, Sun Gear (Bearing Style) (47 T on the Forward Sun Gear)	1	99-01	46622	27510H
622C	Shell, Sun Gear (Bearing Style) (55 T on the Forward Sun Gear)	1	01-Up	46622B	27510P
622C	Shell, Sun Gear (Non Bearing Style) (55 T on the Forward Sun Gear)	1	02-Up	46622A	27510T
622C	Sun Gear & Shell Kit (Bearing Style) (47 T on the Forward Sun Gear)	1	99-01	46622K	N/A
622C	Sun Gear & Shell Kit (Bearing Style) (55 T on the Forward Sun Gear)	1	01-Up	46622BK	N/A

FORD 5R55N, 5R55S, 5R55W

ILL.	DESCRIPTION	QTY.	YEAR	PART NO.	REFERENCE NO.
SUN GEARS, SHELLS & SUPPORTS (Cont.)					
622C	Sun Gear & Shell Kit (Non Bearing) (55 T on the Forward Sun Gear)	1	02-Up	46622AK	N/A
630B	Center Support, Dual Bearing Type	1	99-Up	56630C	27902H
SPRAGS					
650F	Sprag, Overdrive	1	99-Up	56650H	27960D
652C	Sprag, Intermediate w/ outer Race	1	99-Up	46652	K27930
664C	Outer Race Kit (72 T) (5R55N)	1	99-02	56664CK	K27970D
664C	Outer Race Kit (94 T) (5R55W/S)	1	03-Up	46664AK	K27970T
SHAFTS					
670A	Shaft, Input (10.25" Long)	1	99-Up	46670	27933P
674F	Shaft, Overdrive Center (72 T)	1	99-Up	56674C	27970D
674F	Shaft, Overdrive Center (94 T)	1	02-Up	46674A	N/A
678E	Shaft, Output 2wd (11.5" w/ Bolt on Yoke) (5R55N)	1	99-02	46678	N/A
678E	Shaft, Output 2wd (15.5") (5R55W, 5R55S)	1	02-Up	46678A	N/A
678E	Shaft, Output 4wd (11.5") (5R55W, 5R55S)	1	02-Up	46678B	N/A
690E	Gear, Parking (Sensor Ring) (5R55N)	1	99-02	46690	N/A
690E	Gear, Parking (Sensor Ring) (5R55W, 5R55S)	1	02-Up	46690A	N/A
VALVE BODIES					
740H	Valve Body, Premium (5R55N)	1	99-Up	46740-1	P27990N
740H	Valve Body, Premium (5R55W, 5R55S)	1	02-Up	46740-2	P27990W
740H	Sleeve & Plunger, TCC Modulator (Increased Ratio)	1	99-Up	46741CA	K27887B
740H	Sleeve & Plunger, TCC Modulator (OEM Ratio)	1	02-Up	46741C	K27887
740H	Spring, 4-3 Pre Stroke Valve	1	99-Up	46741G-3	27889
740H	Valve & Sleeve, TCC Modulator (requires T-F-56947J-TL15 & T-VB-Fix)	1	99-Up	46741CB	K27885B
CASES & HOUSINGS					
760H	Case (Round Bell Top) (5R55N)	1	99-Up	46760B	N/A
760H	Case (Flat Bell Top) (5R55N)	1	99-Up	46760	N/A
760H	Case (Driver Side Starter) (5R55W, 5R55S)	1	02-Up	46760A	N/A
760H	Case (Passenger Side Starter) (5R55W, 5R55S)	1	02-Up	46760C	N/A
765H	Pan (w/ Ribs) (5R55N)	1	99-02	46765	N/A
765H	Pan (No Ribs, w/ Pickup Sump) (5R55W, 5R55S)	1	02-Up	46765A	N/A
770H	Extension Housing (2wd) (1 Mount Bolt) (5R55N)	1	99-02	46770	N/A
770H	Extension Housing (2wd) (2 Mount Bolts) (5R55W, 5R55S)	1	02-Up	46770A	N/A
770H	Extension Housing (4wd) (5R55W, 5R55S)	1	02-Up	46770B	N/A
MISCELLANEOUS COMPONENTS					
902H	Piston, Overdrive Servo (2.575" Apply Side OD) (Molded Rubber) (All)	1	99-Up	46902	27528M
902H	Piston, Overdrive Servo (2.915" Apply Side OD) (Molded Rubber) (All)	1	99-Up	46902A	27528R
904H	Servo Cover, Overdrive Aluminum (5R55N)	1	99-02	46904	N/A
904H	Servo Cover, Overdrive Steel (5R55W, 5R55S)	1	02-Up	46904A	27529R
904H	Cover, OD Servo (1 O-Ring)	1	99-Up	56904B	27529M
907H	Piston, Interm Servo (2.580" Apply Side OD) (Molded Rubber) (5R55N)	1	99-02	46907	27528L
907H	Piston, Interm Servo (2.780" Apply Side OD) (Molded Rubber) (5R55N)	1	99-02	46907A	27528P
907H	Piston, Interm Servo (2.840" Apply Side OD) (5R55W, 5R55S)	1	02-Up	46907B	27528T
907H	Piston, Interm Servo (2.525" OD) Lincoln LS	1	03-Up	46907C	27528S
909H	Servo Cover, Intermediate Aluminum 2.860" Piston OD (5R55N)	1	99-02	46909	N/A
909H	Servo Cover, Intermediate Steel 3.580" Piston OD (5R55W, 5R55S)	1	02-Up	46909A	N/A
910H	Servo Assembly, Reverse 1.160" Piston OD (Casting # XW4P) (5R55N)	1	99-02	46910	N/A
910H	Servo Assembly, Reverse 1.640" Piston OD (Casting # 1L2P) (5R55N)	1	99-02	46910A	N/A
912H	Piston, Low Reverse Servo (Molded Rubber) (5R55N)	1	99-02	46912	27528W
912H	Piston, Low Reverse Servo (Molded Rubber) (5R55W, 5R55S)	1	02-Up	46912A	27528Y
914H	Cover, Reverse Servo "D" Ring Type Hsg (Replaces O-Ring Type Hsg) (5R55W)	1	02-Up	46914A	N/A

5R55N

