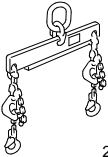


Automatic Transmission Assembly – Remove and Install (17 214 4)

Special Tools

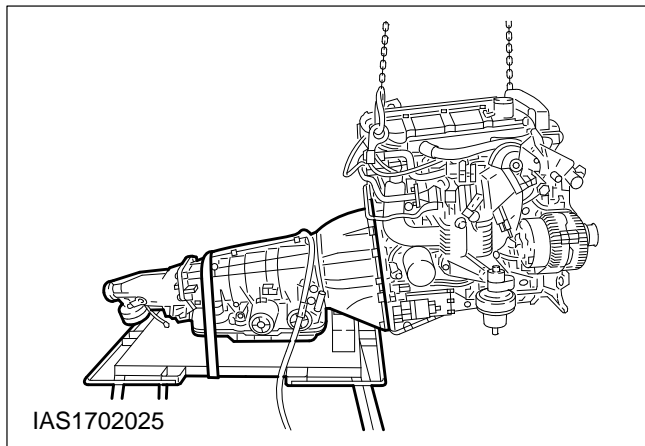
 <p>21-068A</p>	<p>21-068A Engine lifting bracket</p>
--	--

Workshop Equipment

Assembly table and strap	GV 2166
Workshop crane	
Automatic transmission auxiliary plugs	

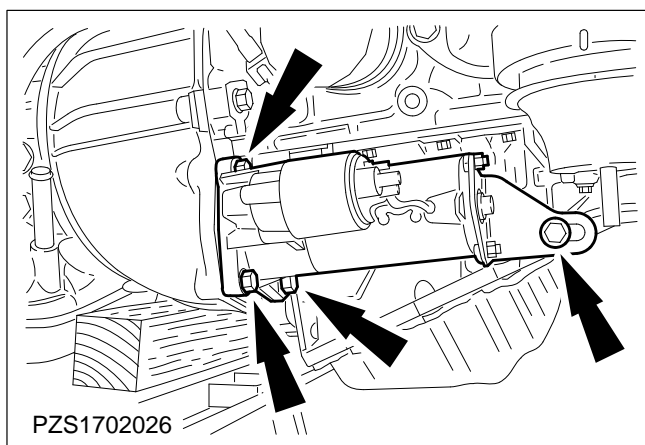
Materials

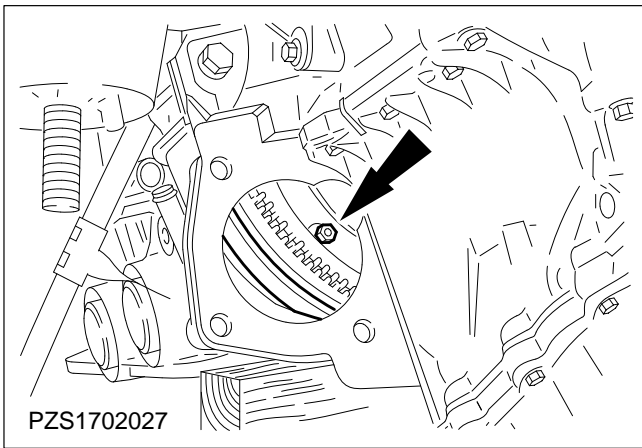
High-temperature grease	ESDM-1C220-A
Automatic transmission fluid (build date up to August '96)	ESP-M2C166-H
Automatic transmission fluid (build date from August '96 onwards)	WSS-M2C202-B
Automatic transmission fluid for vehicles with 2,3 DOHC 16V engine	WSS-M2C202-B



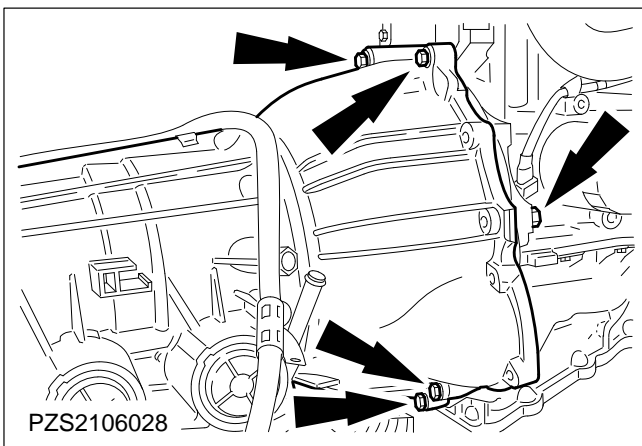
Remove

1. **Secure the transmission to the assembly table with the strap.**
2. **Remove the starter motor and bracket.**

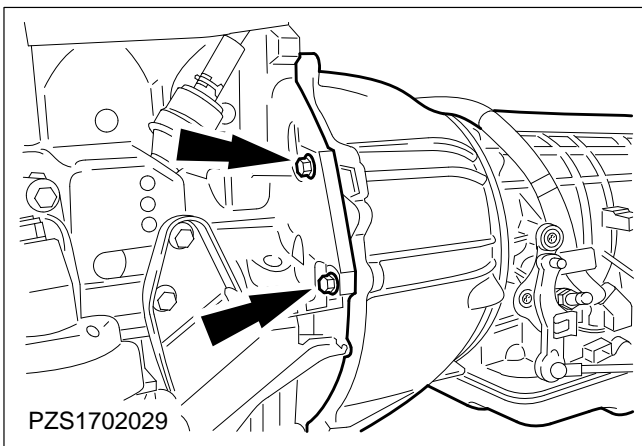




3. Remove the torque converter from the engine drive plate (four nuts).



4. Remove the five flange bolts on the right-hand side.

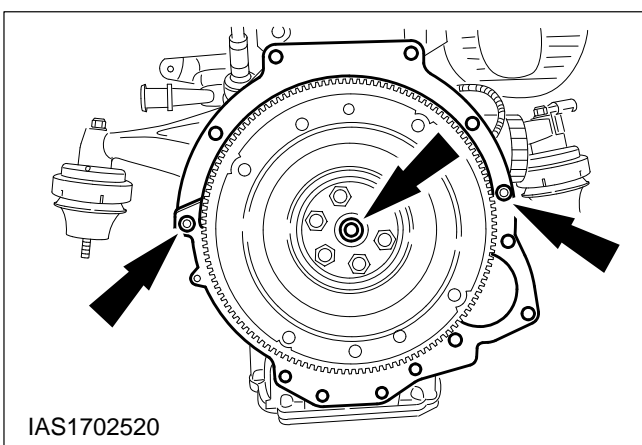


5. Remove two flange bolts on the left-hand side.



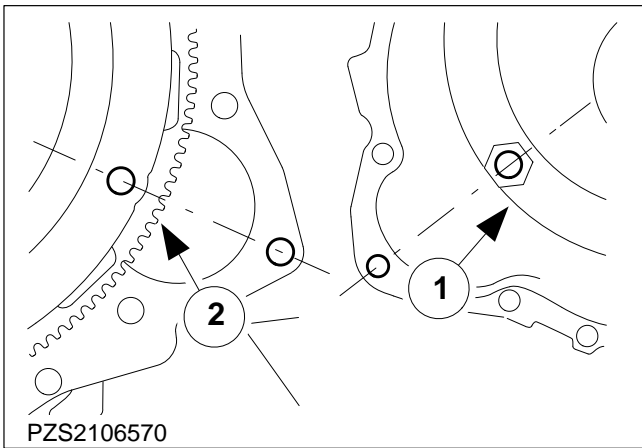
WARNING: Make sure that the torque converter remains in the automatic transmission.

Separate the automatic transmission and the engine.



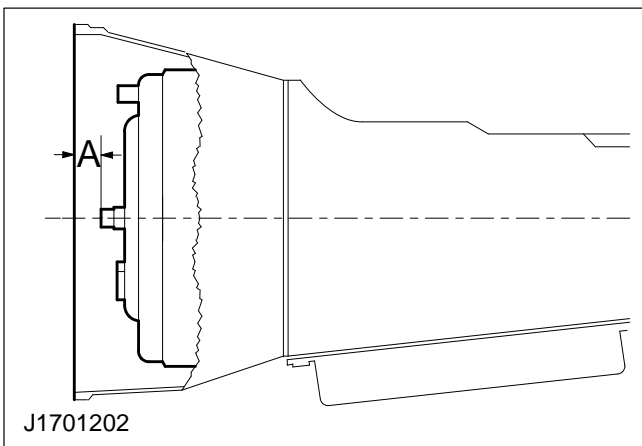
Install

6. Fit the guide sleeves from the automatic transmission flange in the engine flange.
7. Align the adaptor plate on both guide sleeves.
Fix the adaptor plate in position with a little high-temperature grease (ESDM-1C220-A).
8. Apply a thin layer of high-temperature grease (ESDM-1C220-A) to the bore for the torque converter locating spigot.



9. Locate the automatic transmission torque converter and the engine drive plate in position.

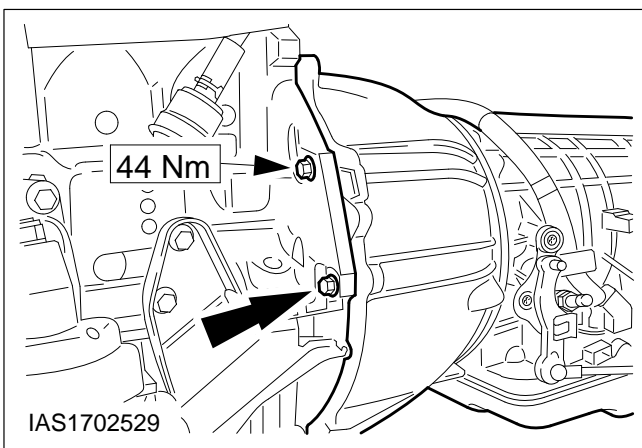
- 1 Torque converter
- 2 Engine drive plate



NOTE: The hub of the torque converter must engage fully with the drive gear of the oil pump.

10. Check the installation depth of the torque converter:

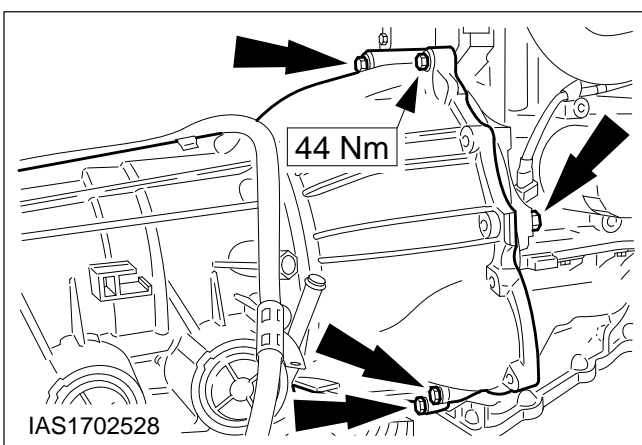
Installation depth "A" between the converter assembly flange and the torque converter bore is 9 mm.



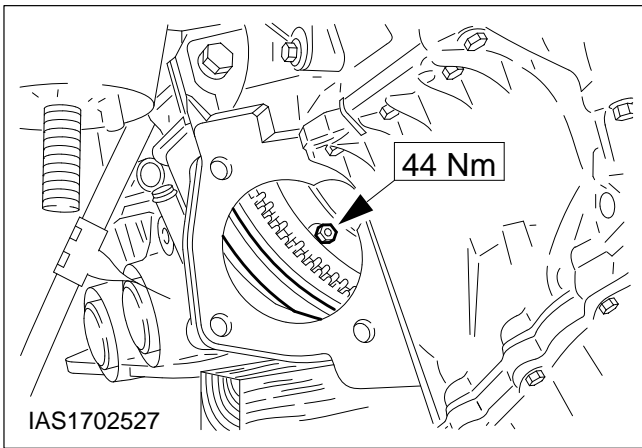
11. Fit the automatic transmission to the engine.

Screw in the flange bolts.

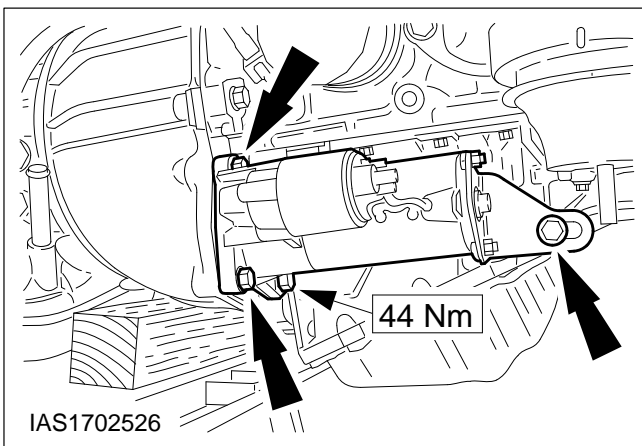
12. Insert the two flange bolts on the left-hand side and tighten them.



13. Insert five flange bolts on the right-hand side and tighten them.



14. Fit the torque converter to the engine drive plate (four nuts).



15. Fit the starter motor and the bracket.