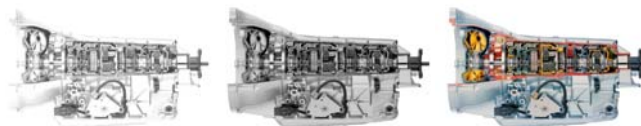


# ZF 5HP19



Automatic Transmission Spare Parts Catalog



## Warranty Information

Warranty coverage for ZF passenger car transmission spare parts and kits covers the first 12 months after installation in the vehicle, or 24 months after purchase from ZF Industries, Inc.

Warranty of the product is limited to replacement or repair, if found to be defective in ZF material or workmanship, and specifically does not cover removal, reinstallation, or any costs incidental to the repair of the vehicle, or any kind of consequential damages.

All warranty and/or non-warranty returns must be approved.

## Disclaimer

The specifications and information shown in this catalog have been compiled from accepted and reliable sources and is believed to be accurate at the time of publication. While ZF Industries, Inc. believes this information is correct, no guarantee or warranty is made as to the accuracy of the information and ZF Industries, Inc. cannot and does not accept or assume any responsibilities for errors, omissions, or consequential harm or damages. Replacement parts should not be used when they do not appear to fit. ZF Industries, Inc. disclaims all liability and responsibility for any harm resulting from any such modifications.

## Copyright

Printed in USA – Copyright © 2003 ZF Industries, Inc.

No part of this publication may be reproduced, stored in a retrieval system, or transmitted, in any form or by any means, electronic, mechanical, photocopying, recording, or otherwise, without prior written permission of ZF Industries, Inc.

## Distributed By





**Table of Contents**

5HP19 Transmission Overview (North American Applications)

    Make / Model / Model Year ..... 2

5HP19 Technical Information

    Torque, Gear Ratio & Weight ..... 3

    Transmission Oil Reference Guide ..... 3

    5HP19 Lubrications ..... 3

    5HP19 Technical Literature ..... 3

    5HP19 General Transmission Oil Filling Procedure ..... 4

5HP19 Spare Parts

    How To Use This Catalog ..... 6

    Gearbox Housing Group ..... 7

    Oil Sump Group ..... 9

    Oil Supply Group ..... 10

    Output Group ..... 12

    Converter Group ..... 12

    Planetary Drive Groups ..... 14

    Clutch Pack Groups ..... 16

5HP19 Valve Body

    Duct Plate Group ..... 22

    Valve Housing Groups ..... 24

5HP19 Selective Shims, Snap Rings & Kit Content

    5HP19 Selective Shims & Snap Rings ..... 29

    5HP19 Kit Content ..... 32

Miscellaneous

    Quotation / Order Form ..... 35

    Notes ..... 36

**ZF 5HP19 Automatic Transmission - Spare Parts Catalog**



**5HP19 Transmission Overview (North American Applications)**

Make / Model / Model Year – BMW (A5S 325Z)

Make	Model	Style	Model Year	From – Up to	Code	OE Part #	ZF Part #
BMW	320i	E46 Sedan	2000 –		TN	24 00 1 423 928	1060 000 008
BMW	323Ci	E46 Convertible	2000	03/00 –	RU	24 00 1 422 912	1060 000 005
BMW	323Ci	E46 Coupe	2000	03/00 –	RU	24 00 1 422 912	1060 000 005
BMW	323i	E46 Sedan	2000	03/00 –	RU	24 00 1 422 912	1060 000 005
BMW	323i	E46 Touring	2000	03/00 –	RU	24 00 1 422 912	1060 000 005
BMW	325Ci	E46 Convertible	2000 –		TT	24 00 1 423 930	1060 000 009
BMW	325Ci	E46 Coupe	2000 –		TT	24 00 1 423 930	1060 000 009
BMW	325i	E46 Sedan	2000 –	– 03/02	TT	24 00 1 423 930	1060 000 009
BMW	325i	E46 Touring	2001 –	03/01 –	TT	24 00 1 423 930	1060 000 009
BMW	330Ci	E46 Convertible	1999 –		TU	24 00 1 423 932	1060 000 010
BMW	330Ci	E46 Coupe	1999 –		TU	24 00 1 423 932	1060 000 010
BMW	330i	E46 Sedan	1999 –		TU	24 00 1 423 932	1060 000 010
BMW	525i	E39 Sedan (M52)	2001 –	03/01 –	TT	24 00 1 423 930	1060 000 009
BMW	525i	E39 Touring (M52)	2001 –	03/01 –	TT	24 00 1 423 930	1060 000 009
BMW	530i	E39 Sedan (M52)	2001 – 2002	03/01 –	TU	24 00 1 423 932	1060 000 010

**Note:** This spare parts catalog includes only transmission specification numbers for North American applications. For all other 5HP19 transmission specification numbers, please contact your preferred ZF passenger car transmission distributor for more information about available spare parts and kits.

**Type Plate:** Located on the main housing of transmission. Please refer to ZF transmission specification # when searching for spare parts and kits in this catalog (last three digits).



- ← Transmission Serial #
- ← ZF Transmission Specification #
- ← Vehicle Manufacturer Transmission #

**ZF 5HP19 Automatic Transmission - Spare Parts Catalog**



**5HP19 Technical Information**

Torque, Gear Ratio & Weight

Input Torque	1 <sup>st</sup> Gear	2 <sup>nd</sup> Gear	3 <sup>rd</sup> Gear	4 <sup>th</sup> Gear	5 <sup>th</sup> Gear	Rev Gear	Weight (approximate)	Oil Capacity (approximate)
300 Nm	3.67	2.00	1.41	1.00	0.74	4.10	~79 kg (174 lbs.)	~9.2 liter (9.8 quart)

Transmission Oil Reference Guide

Make	Oil Grade	Type Plate (color)	ZF Part #	OE Part #
BMW	ESSO LT 71141	Green	1060 000 005	24 00 1 422 912
			1060 000 008	24 00 1 423 928
			1060 000 009	24 00 1 423 930
			1060 000 010	24 00 1 423 932

5HP19 Lubrications

Amount	ZF Part #	Description	Where used (1060 000 ___)	Notes
20 Liter	0671 090 166	Oil ESSO LT 71141 (Canister)	All	
205 Liter	0671 090 169	Oil ESSO LT 71141 (Drum)	All	

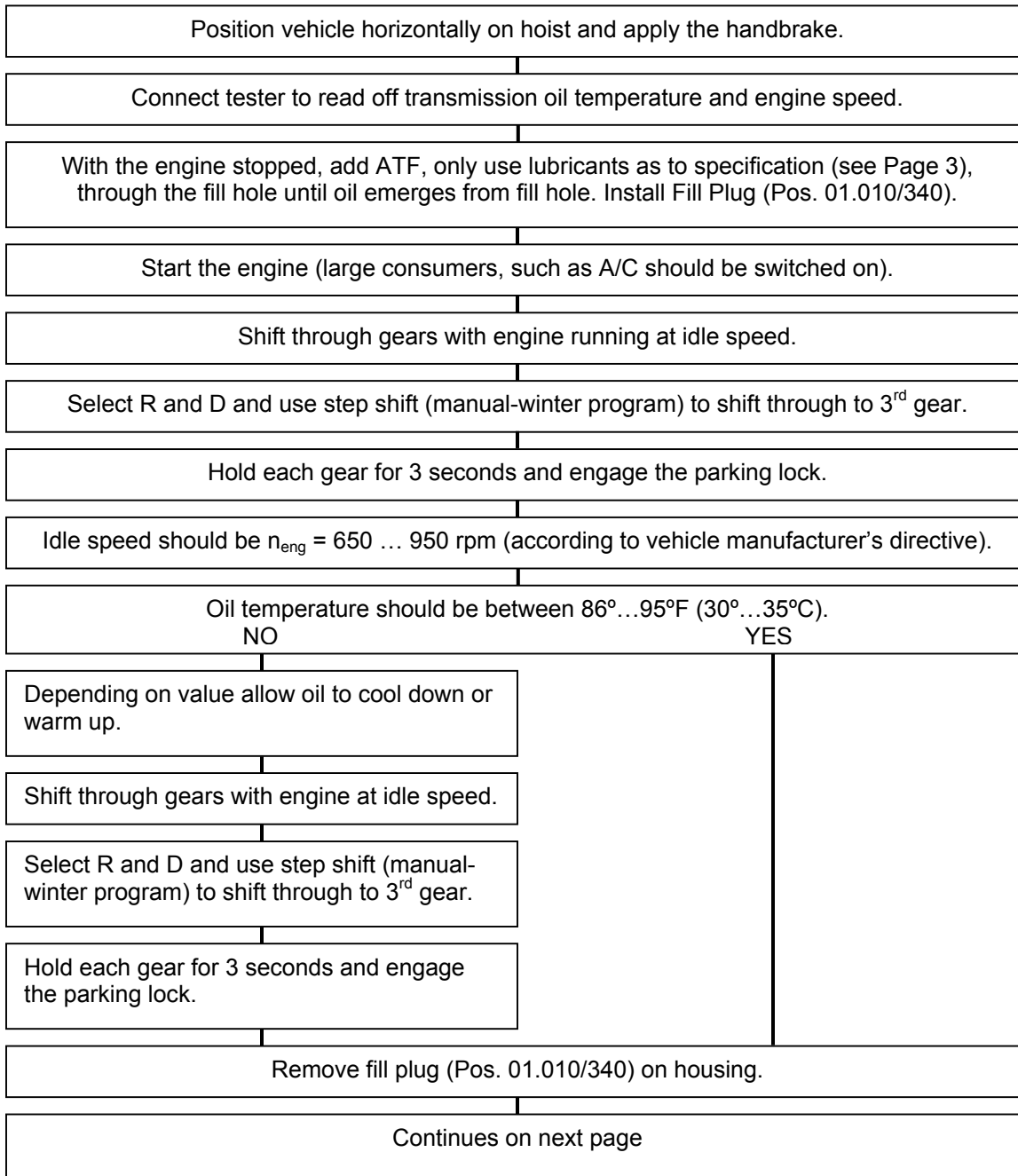
5HP19 Technical Literature

Language	ZF Part #	Description	Where used (1060 000 ___)	Notes
English	5HP19FD	5HP19 Functional Description	All	
English	5HP19REP	5HP19 Repair Manual	All	
English	1060 764 001	5HP19 Wall Chart	All	
English	5HPVBMAN	5-Speed Valve Body Manual	All	



**5HP19 Technical Information (continued)**

5HP19 General Transmission Oil Filling Procedure

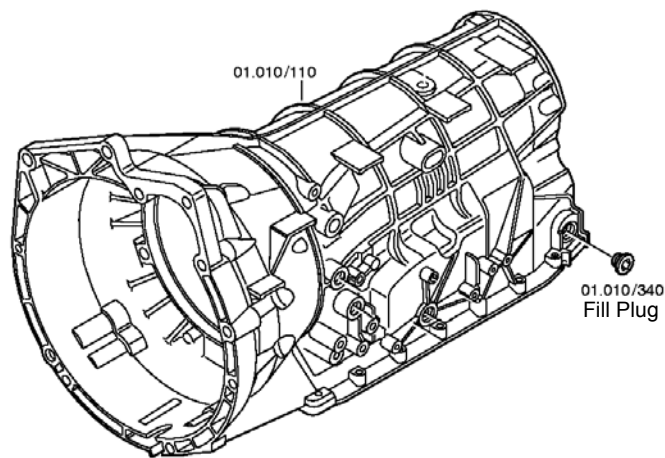




**5HP19 Technical Information (continued)**

5HP19 General Transmission Oil Filling Procedure (continued)

Continues from previous page	
Oil emerges at oil temperature below 95°F (35°C).	
NO	YES
Oil level in transmission is below minimum.	
Add ATF, only use lubricants as to specification (see Page 3), through the fill hole until oil emerges from fill hole.	
Wait until oil temperature reaches 104°F ±18°F (40°C ±10°C).	
Oil temperature must not exceed 122°F (50°C).	
Allow time for excess oil to drip then install Fill Plug (Pos. 01.010/340). Torque Fill Plug to 35Nm ±3.5Nm (see also Repair Manual).	



## ZF 5HP19 Automatic Transmission - Spare Parts Catalog



### How To Use This Catalog

#### Table of Contents

Each transmission group of this catalog is listed in the table of contents. This spare parts catalog includes only transmission specification numbers for North American applications.

#### Technical Information

All technical information is specific to the transmission models that are referenced in this catalog. Weight and oil capacity information are only approximate and may vary by actual transmission specification. For any technical inquiry, please contact your preferred ZF passenger car transmission distributor for assistance. For a list of technical literature available from ZF or for answers to frequently asked questions about ZF transmissions visit us at [www.zf-group.com](http://www.zf-group.com).

#### Spare Parts

Each transmission is divided into groups (e.g. gearbox housing group). The position number (**Pos #**) is used to identify the location of each spare part in the transmission. A position number like 01.010 is either a spare part or an assembly. A position number like 01.010/110 is a subcomponent of an assembly. Please contact your preferred ZF passenger car transmission distributor about availability of assemblies and subcomponents.

The part number (**ZF part #**) is used to identify a specific spare part and is usually ten-digits (kits, lubricants, and technical literature have exceptions). Please use this part number, when ordering ZF spare parts.

The description (**Description**) identifies the spare part.

The quantity (**Qty**) is the amount of spare parts included in one transmission model for a certain position number. The quantity may vary depending on the transmission specification and certain spare parts may be used in multiple positions in the transmission.

This catalog includes only spare parts for North American specifications of a ZF transmission application. The “where used” column (**Where used (10\_ 000 \_\_)**) shows the last three digits of the transmission specification that uses the listed spare part. If the column indicates “All”, then all North American transmission specification use this spare part.

The notes column (**Notes**) gives more information about the spare part (e.g. included in a kit).

#### Example:

Pos #	ZF Part #	Description	Qty	Where used (1056 000 __)	Notes
01.010	1056 201 084	Gearbox Housing	1	087/088	
	1056 201 087	Gearbox Housing	1	081	
01.010/110	1056 301 174	Gearbox Housing	1	087/088	
	1056 301 175	Gearbox Housing	1	081	

#### Selective Shims, Snap Rings & Kit Content

Each list for selective shims or snap rings is listed in this section of the catalog. Please measure the clearance according to the repair manual and select the required spare part from the table.

The kit content section shows all available kits for the transmission models that are referenced in this catalog, including the content of each kit.

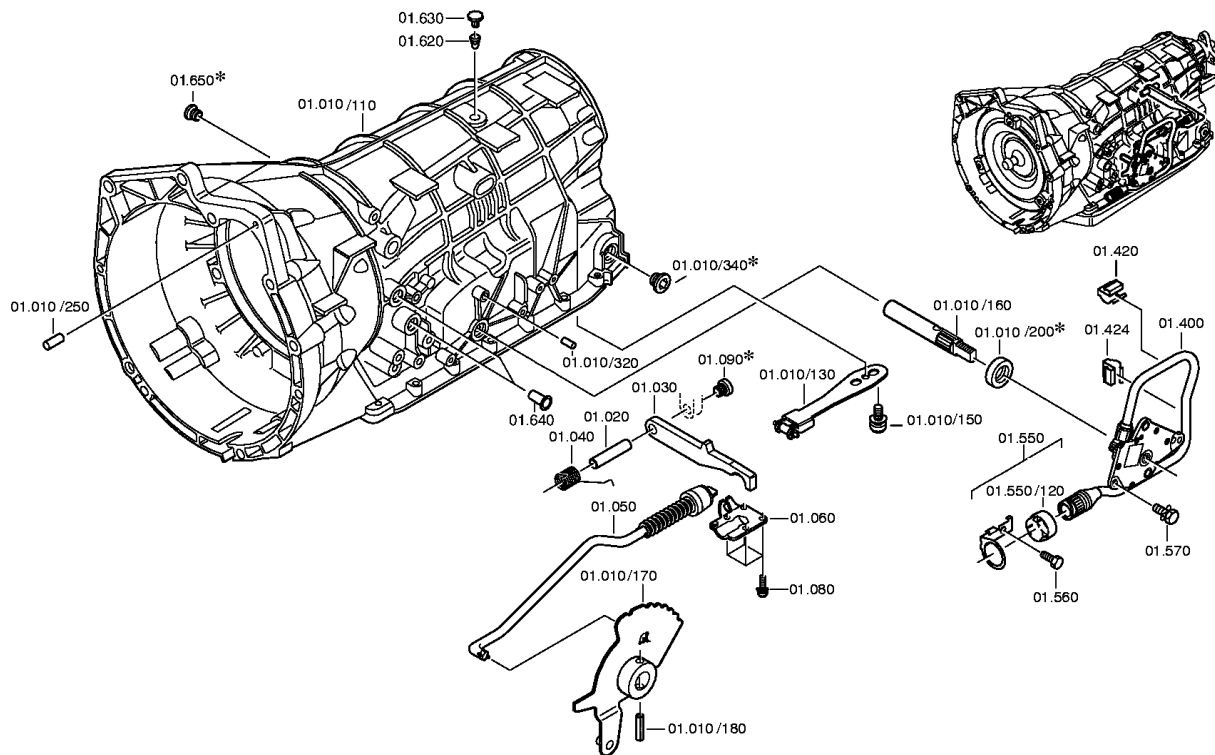


ZF 5HP19 Automatic Transmission - Spare Parts Catalog



5HP19 Spare Parts - Gearbox Housing Group

Pos #	ZF Part #	Description	Qty	Where used (1060 000 ___)	Notes
01.010	1060 201 056	Gearbox Housing	1	All	
01.010/110	1060 301 096	Gearbox Housing	1	All	
01.010/130	1055 206 014	Detent Spring	1	All	
01.010/150	0736 101 240	Torx Screw M6x13	2	All	
01.010/160	1056 306 052	Selector Shaft	1	All	
01.010/170	1055 206 012	Detent Disc	1	All	
01.010/180	0501 313 410	Clamping Sleeve	1	All	
01.010/200	0734 319 623	Shaft Seal	1	All	* Available in kit 1060 298 030
01.010/250	0631 306 123	Cylindrical Pin	1	All	
01.010/320	0631 306 058	Cylindrical Pin	1	All	
01.010/340	0636 308 025	Screw Plug M18x1.5	1	All	* Available in kit 1060 298 030
01.020	1056 324 018	Pin	1	All	
01.030	1056 324 011	Pawl	1	All	
01.040	1056 324 005	Leg Spring	1	All	
01.050	1060 201 008	Connecting Bar	1	All	



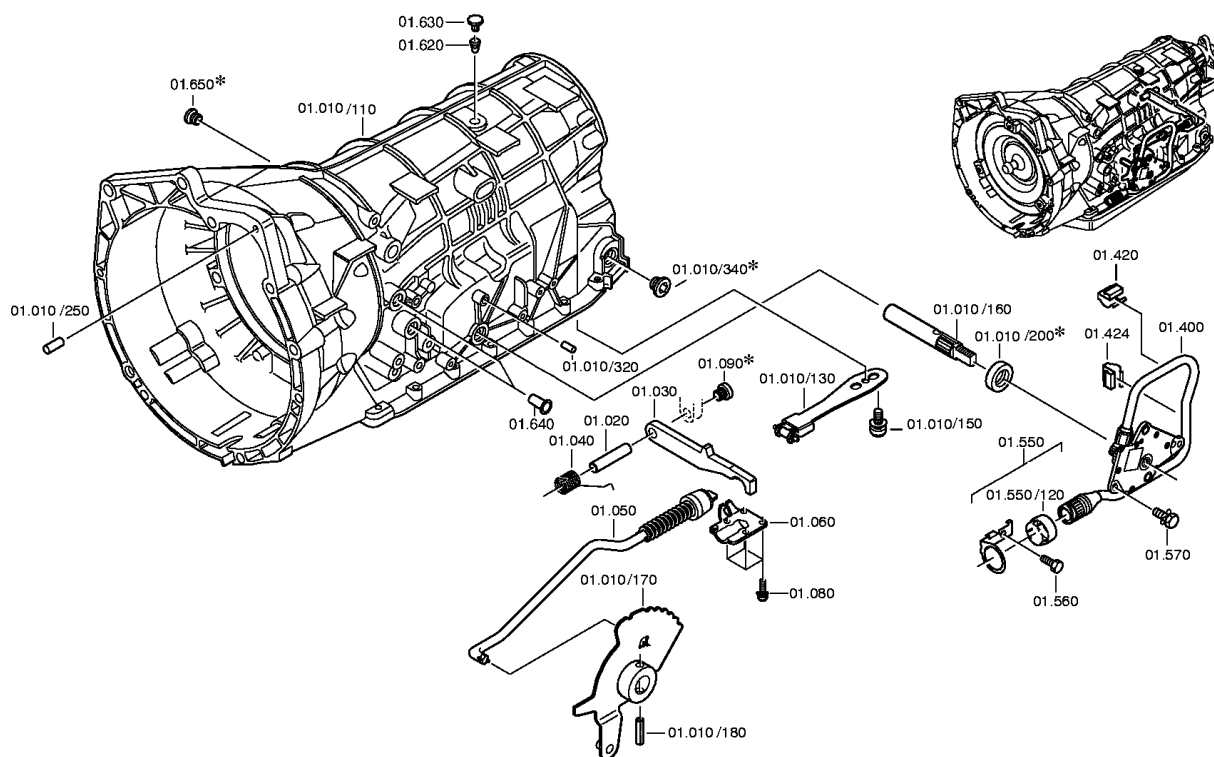
Note: Parts marked with \* are only available in kits.

ZF 5HP19 Automatic Transmission - Spare Parts Catalog



5HP19 Spare Parts - Gearbox Housing Group (continued)

Pos #	ZF Part #	Description	Qty	Where used (1060 000 ___)	Notes
01.060	1056 324 016	Guiding Plate	1	All	
01.080	0736 101 318	Torx Screw M6x20	4	All	
01.090	0636 308 024	Screw Plug M12x1.5	1	All	* Available in kit 1060 298 030
01.400	0501 317 781	Position Switch	1	All	
01.420	0501 313 993	Cable Terminal	1	All	
01.424	0501 313 993	Cable Terminal	1	All	
01.550	1056 290 003	Bracket	1	All	
01.550/120	0501 315 137	Bracket	1	All	
01.560	0636 103 157	Hexagon Screw M8x16	1	All	
01.570	0636 015 360	Hexagon Screw M6x20	2	All	
01.620	0501 318 900	Breather Tube	1	All	
01.630	0501 314 809	Breather Cover	1	All	
01.640	0637 900 068	Plug	2	All	
01.650	0501 318 572	Screw Plug M10x1	1	All	* Available in kit 1060 298 030



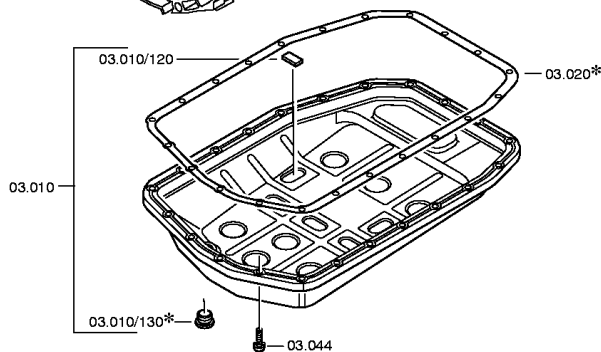
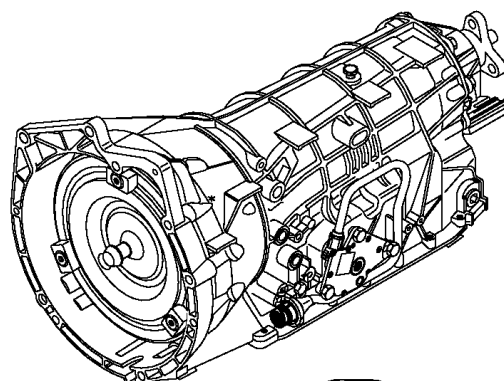
Note: Parts marked with \* are only available in kits.

ZF 5HP19 Automatic Transmission - Spare Parts Catalog



5HP19 Spare Parts – Oil Sump Group

Pos #	ZF Part #	Description	Qty	Where used (1060 000 ___)	Notes
03.010	1060 290 017	Oil Sump	1	All	
03.010/120	1043 301 036	Magnet	8	All	
03.010/130	0736 302 062	Screw Plug M14x1.5	1	All	* Available in kit 1060 298 030 * Available in kit 5HP19FK
03.020	1060 390 002	Gasket	1	All	* Available in kit 1060 298 030 * Available in kit 5HP19FK
03.044	0736 101 318	Torx Screw M6x22	22	All	



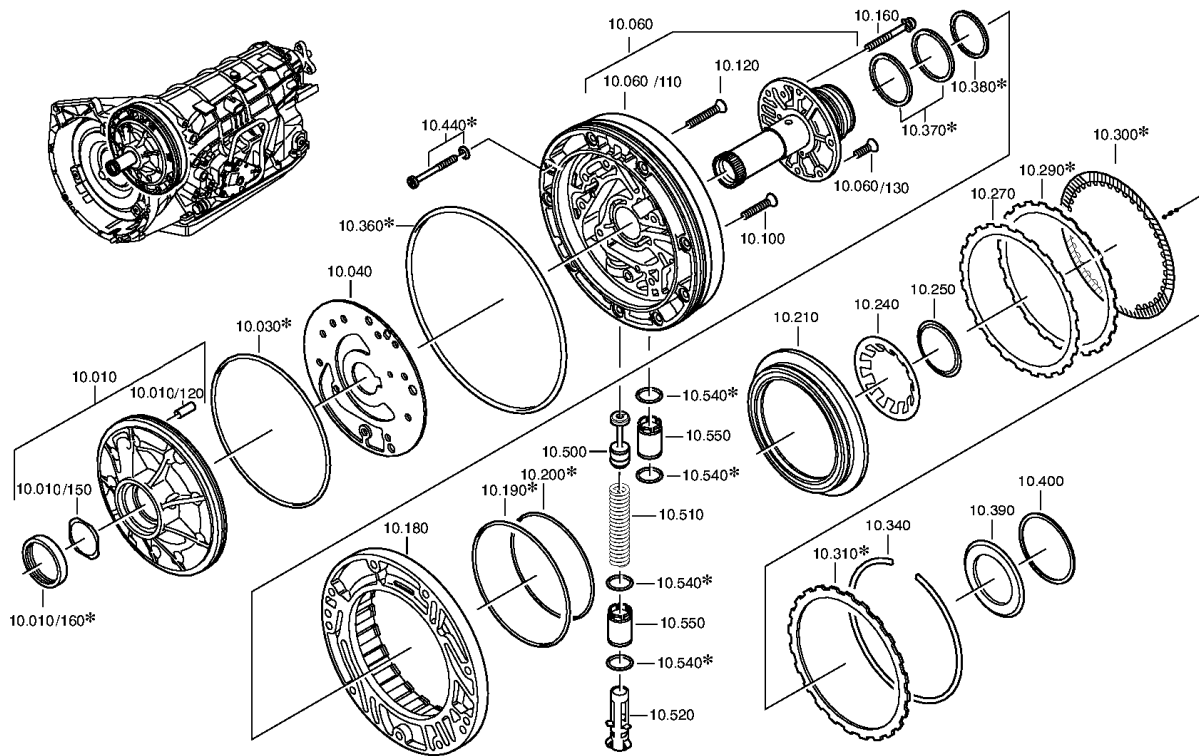
**Note:** Parts marked with \* are only available in kits.

ZF 5HP19 Automatic Transmission - Spare Parts Catalog



5HP19 Spare Parts - Oil Supply Group

Pos #	ZF Part #	Description	Qty	Where used (1060 000 ___)	Notes
10.010	1060 210 047	Pump	1	All	
10.010/120	1043 319 058	Sleeve	1	All	
10.010/150	1056 310 075	Washer	1	All	
10.010/160	0734 310 316	Shaft Seal	1	All	* Available in kit 1060 298 030
10.030	0734 313 178	O-Ring	1	All	* Available in kit 1060 298 030
10.040	1056 310 123	Intermediate Sheet	1	All	
10.060	1060 210 051	Intermediate Plate	1	All	
10.060/110	1060 310 078	Intermediate Plate	1	All	
10.060/120	1060 210 049	Stator Hub	1	All	
10.060/130	0736 401 061	Counters. Screw M6x20	5	All	
10.100	0736 401 062	Counters. Screw M6x40	8	All	
10.120	0736 401 063	Counters. Screw M6x48	1	All	
10.160	0736 101 059	Torx Screw M5x55	1	All	
10.180	1060 310 076	Cylinder C	1	005/008/009	
	1060 310 094	Cylinder C	1	010	
10.190	0734 313 006	O-Ring	1	All	* Available in kit 1060 298 030
10.200	0734 313 117	O-Ring	1	All	* Available in kit 1060 298 030
10.210	1056 310 081	Piston	1	All	
10.240	0501 315 929	Cup Spring	1	All	
10.250	1056 310 061	Stop Ring	1	All	



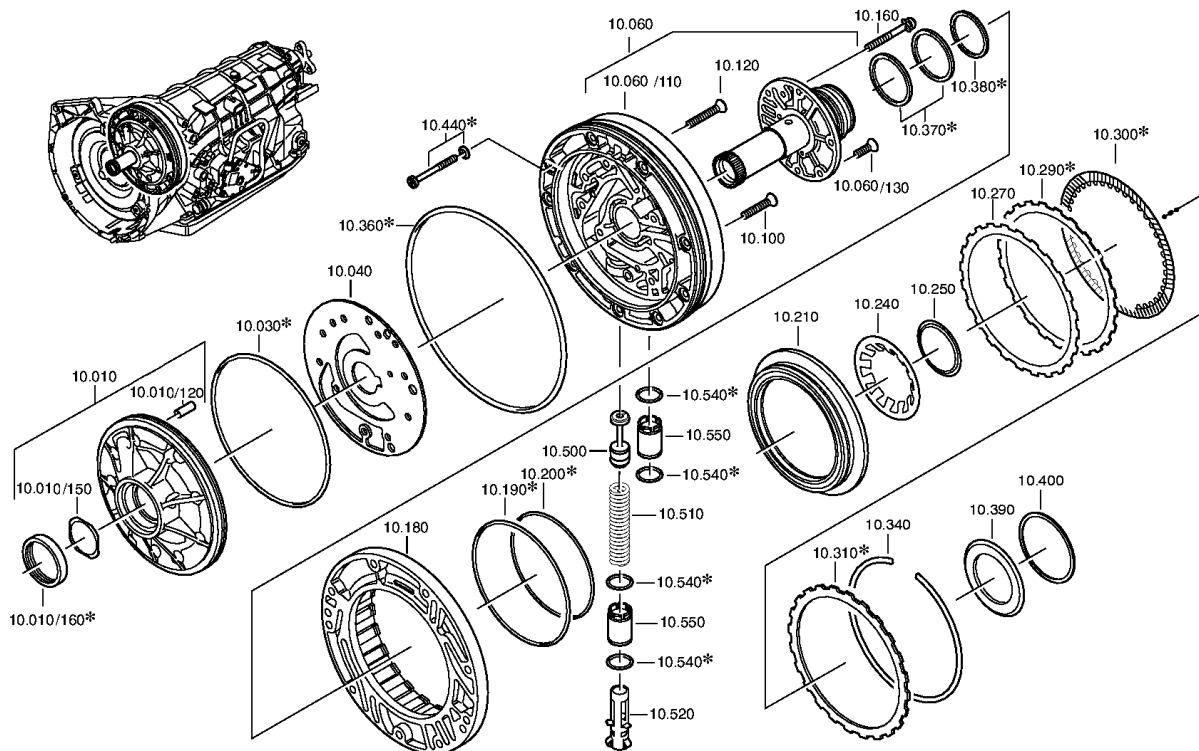
Note: Parts marked with \* are only available in kits.

ZF 5HP19 Automatic Transmission - Spare Parts Catalog



5HP19 Spare Parts - Oil Supply Group (continued)

Pos #	ZF Part #	Description	Qty	Where used (1060 000 ___)	Notes
10.270	0501 316 284	Undulated Spring	1	All	
10.290	1060 310 027	Steel Plate C	3	005/008/009	* Available in kit 1060 298 027
	1060 310 053	Steel Plate C	4	010	* Available in kit 1060 298 027
10.300	1019 273 019	Friction Plate C	3	005/008/009	* Available in kit 1060 298 023
	1019 273 019	Friction Plate C	4	010	* Available in kit 1060 298 023
10.310	1060 310 005	End Plate C	1	All	* Available in kit 1060 298 027
10.340	See Page 29	Clutch C Snap Ring	1	All	Selective Snap Ring
10.360	0734 313 064	O-Ring	1	All	* Available in kit 1060 298 030
10.370	0750 113 015	Piston Ring	2	All	* Available in kit 1060 298 030
10.380	0734 401 213	Piston Ring	1	All	* Available in kit 1060 298 030
10.390	0735 368 039	Axial Needle Cage	1	All	
10.400	See Page 29	Intermediate Plate Shim	1	All	Selective Shim
10.440	0736 101 228	Torx Screw M6x70	9	All	
	0750 112 076	Usit Ring	9	All	* Available in kit 1060 298 030
10.500	1060 310 079	Piston	1	All	
10.510	0732 042 580	Compression Spring	1	All	
10.520	1058 310 092	Sleeve	1	All	
10.540	0734 313 161	O-Ring	4	All	* Available in kit 1060 298 030
10.550	1060 310 045	Pipe	2	All	



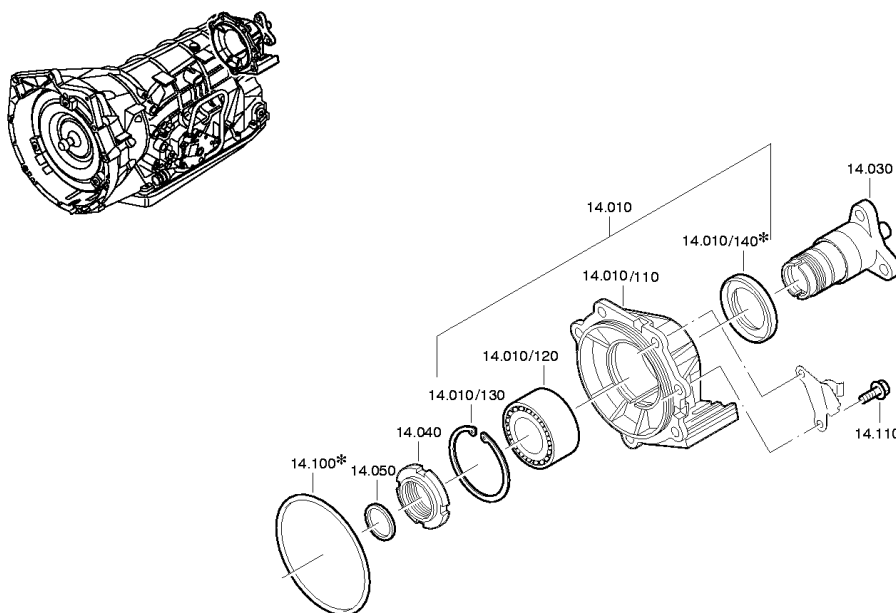
Note: Parts marked with \* are only available in kits.

ZF 5HP19 Automatic Transmission - Spare Parts Catalog



5HP19 Spare Parts – Output Group

Pos #	ZF Part #	Description	Qty	Where used (1060 000 ___)	Notes
14.010	1060 214 006	Extension	1	All	
14.010/110	1056 314 044	Extension	1	All	
14.010/120	0750 116 119	Ball Bearing	1	All	
14.010/130	0630 502 037	Retaining Ring	1	All	
14.010/140	0734 319 607	Shaft Seal	1	All	* Available in kit 1060 298 030
14.030	1060 214 005	Output Flange	1	All	
14.040	0737 502 168	Slotted Nut M40x1.5	1	All	
14.050	See Page 29	Output Shim	1	All	Selective Shim
14.100	0734 313 083	O-Ring	1	All	* Available in kit 1060 298 030
14.110	0636 024 009	Hexagon Screw M8x22	7	All	



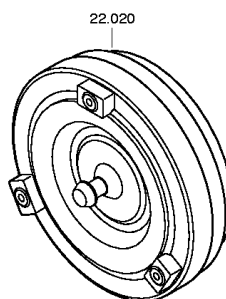
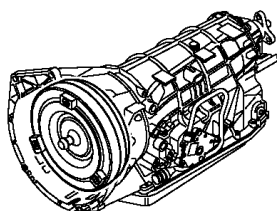
Note: Parts marked with \* are only available in kits.

ZF 5HP19 Automatic Transmission - Spare Parts Catalog



5HP19 Spare Parts – Converter Group

Pos #	ZF Part #	Description	Qty	Where used (1060 000 ___)	Notes
22.020	4168 022 006	Torque Converter T51	1	008	
	4168 025 136	Torque Converter S38	1	005	
	4168 025 145	Torque Converter C51	1	009	
	4168 025 210	Torque Converter B61	1	010	



**Note:** Parts marked with \* are only available in kits.

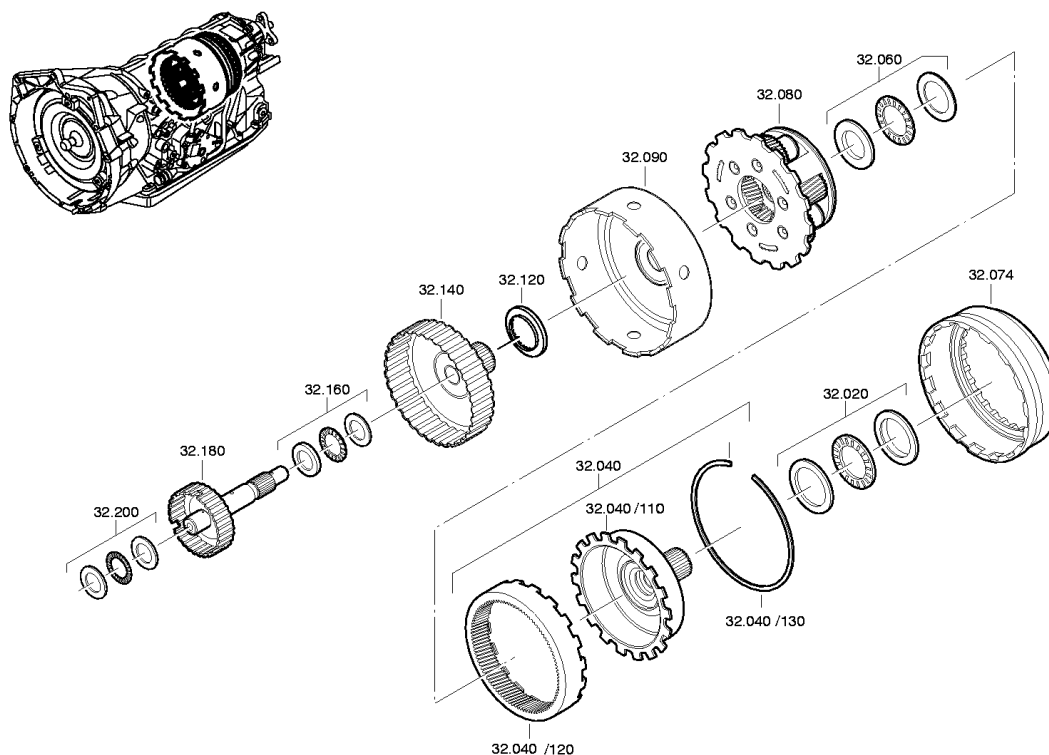


ZF 5HP19 Automatic Transmission - Spare Parts Catalog



5HP19 Spare Parts – Planetary Drive Groups

Pos #	ZF Part #	Description	Qty	Where used (1060 000 ___)	Notes
32.020	1056 232 105	Bearing Set	1	All	
32.040	1060 232 026	Shaft	1	All	
32.040/110	1056 232 085	Shaft	1	All	
32.040/120	1060 332 028	Ring Gear	1	All	
32.040/130	0730 513 330	Snap Ring	1	All	
32.060	1056 232 104	Bearing Set	1	All	
32.074	1050 317 060	Spider Clutch Bell	1	All	
32.080	1060 232 032	Planet Carrier	1	All	
32.090	1060 232 041	Sun Gear	1	All	
32.120	0735 368 043	Axial Needle Bearing	1	All	
32.140	1060 202 001	Sun Gear Shaft	1	All	
32.160	1056 232 101	Bearing Set	1	All	
32.180	1056 232 071	Intermediate Shaft	1	All	
32.200	1056 232 099	Bearing Set	1	All	



Note: Parts marked with \* are only available in kits.

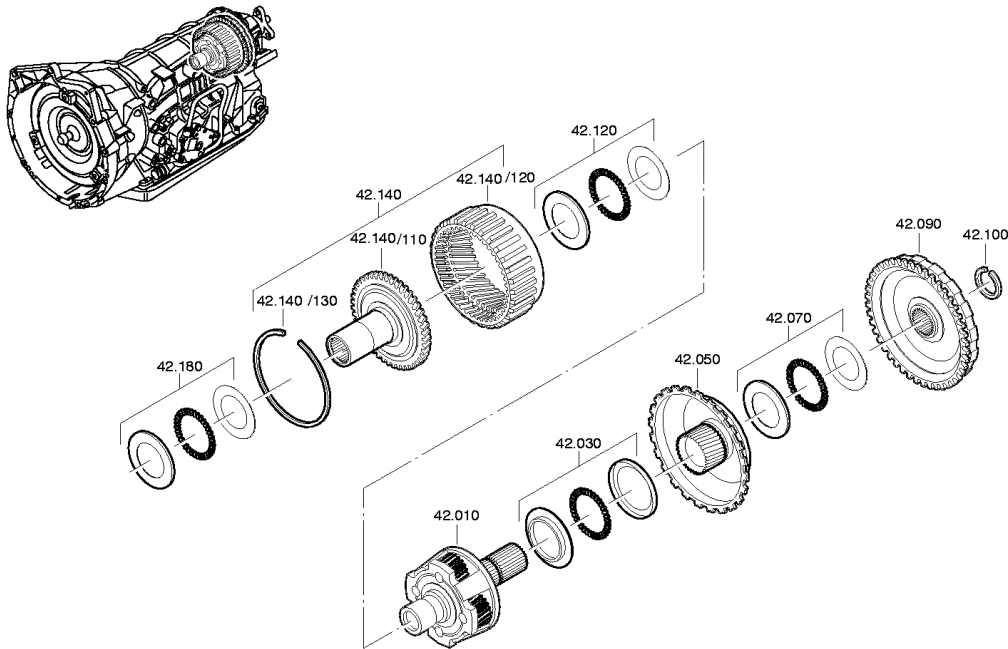


ZF 5HP19 Automatic Transmission - Spare Parts Catalog



5HP19 Spare Parts – Planetary Drive Groups (continued)

Pos #	ZF Part #	Description	Qty	Where used (1060 000 ___)	Notes
42.010	1060 242 010	Planet Carrier	1	All	
42.030	1056 242 039	Bearing Set	1	All	
42.050	1056 232 083	Sun Gear	1	All	
42.070	1056 242 038	Bearing Set	1	All	
42.090	1056 242 016	Parking Lock Wheel	1	All	
42.100	0630 513 031	Snap Ring	1	All	
42.120	1056 242 038	Bearing Set	1	All	
42.140	1056 242 041	Ring Gear	1	All	
42.140/110	1056 242 017	Ring Gear Carrier	1	All	
42.140/120	1056 332 010	Ring Gear	1	All	
42.140/130	1056 332 012	Snap Ring	1	All	
42.180	1056 242 038	Bearing Set	1	All	



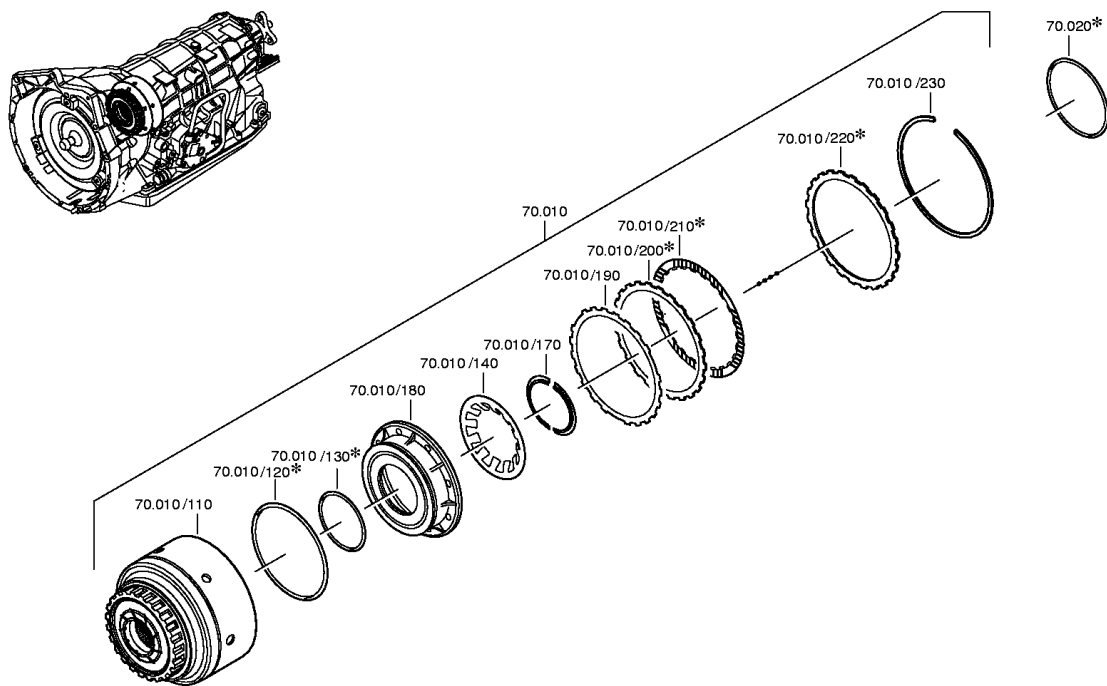
Note: Parts marked with \* are only available in kits.

ZF 5HP19 Automatic Transmission - Spare Parts Catalog



5HP19 Spare Parts – Clutch Pack Groups

Pos #	ZF Part #	Description	Qty	Where used (1060 000 ____)	Notes
70.010	1060 270 084	Cylinder A	1	005/009/010	
	1060 270 085	Cylinder A	1	008	
70.010/110	1060 370 060	Cylinder A	1	005/009/010	
	1060 370 061	Cylinder A	1	008	
70.010/120	0734 313 014	O-Ring	1	All	* Available in kit 1060 298 030
70.010/130	0734 313 029	O-Ring	1	All	* Available in kit 1060 298 030
70.010/140	0501 315 926	Cup Spring	1	All	
70.010/170	1056 370 034	Stop Ring	1	All	
70.010/180	1056 370 050	Piston	1	All	
70.010/190	1050 302 012	Spring Clutch Disc	1	All	
70.010/200	1060 370 002	Steel Plate A	4	008	* Available in kit 1060 298 027
	1060 370 002	Steel Plate A	5	005/009/010	* Available in kit 1060 298 027
70.010/210	1060 271 005	Friction Plate A	4	008	* Available in kit 1060 298 023
	1060 271 005	Friction Plate A	5	005/009/010	* Available in kit 1060 298 023
70.010/220	1060 370 003	End Plate A	1	All	* Available in kit 1060 298 027
70.010/230	See Page 30	Clutch A Snap Ring	1	All	Selective Snap Ring
70.020	0734 313 163	O-Ring	1	All	* Available in kit 1060 298 030



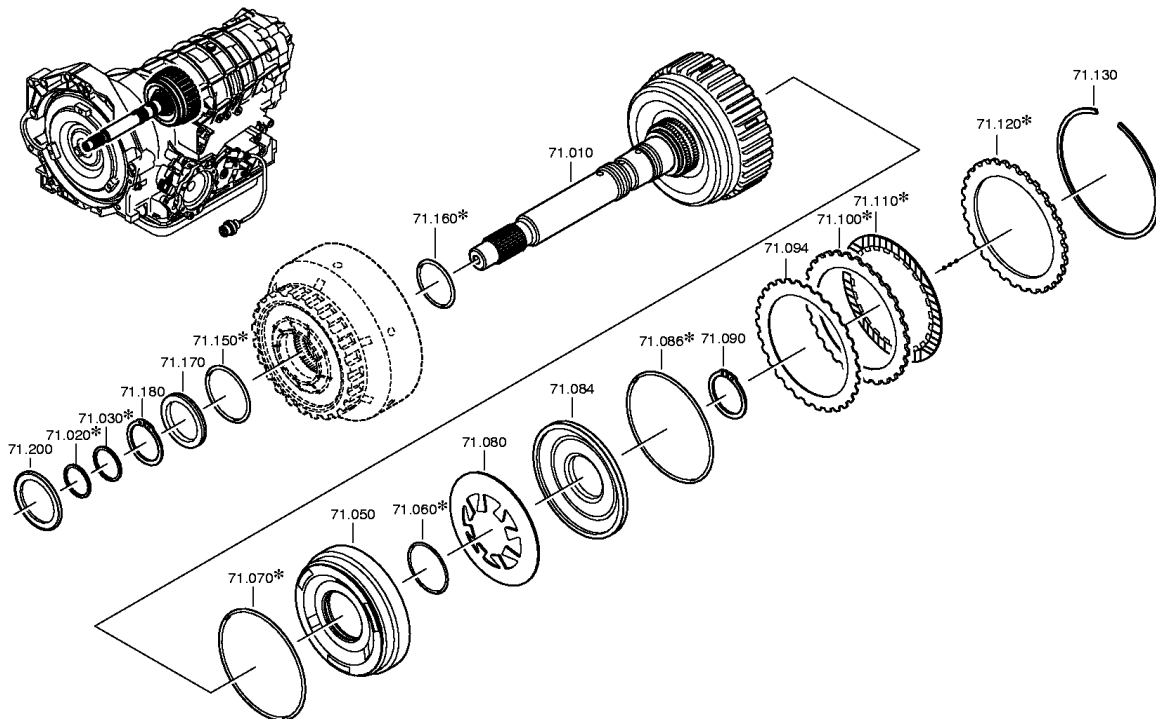
Note: Parts marked with \* are only available in kits.

ZF 5HP19 Automatic Transmission - Spare Parts Catalog



5HP19 Spare Parts – Clutch Pack Groups (continued)

Pos #	ZF Part #	Description	Qty	Where used (1060 000 ___)	Notes
71.010	1060 271 007	Input Shaft	1	All	
71.020	0734 317 256	Piston Ring	1	All	* Available in kit 1060 298 030
71.030	0734 317 190	Sealing Ring	1	All	* Available in kit 1060 298 030
71.050	1056 371 060	Piston	1	008	
	1056 371 061	Piston	1	005/009/010	
71.060	0734 313 022	O-Ring	1	All	* Available in kit 1060 298 030
71.070	0734 313 027	O-Ring	1	All	* Available in kit 1060 298 030
71.080	0501 315 427	Cup Spring	1	All	
71.084	1056 371 025	Oil Dam	1	All	
71.086	0734 313 008	O-Ring	1	All	* Available in kit 1060 298 030
71.090	0630 501 030	Retaining Ring	1	All	
71.094	0501 314 765	Spring Clutch Disc	1	All	
71.100	1060 371 002	Steel Plate E	4	008	* Available in kit 1060 298 027
	1060 371 002	Steel Plate E	5	005/009/010	* Available in kit 1060 298 027
71.110	1050 230 032	Friction Plate E	4	008	* Available in kit 1060 298 023
	1050 230 032	Friction Plate E	5	005/009/010	* Available in kit 1060 298 023
71.120	1060 371 003	End Plate E	1	All	* Available in kit 1060 298 027
71.130	See Page 30	Clutch E Snap Ring	1	All	Selective Snap Ring
71.150	0734 313 160	O-Ring	1	All	* Available in kit 1060 298 030
71.160	0734 313 211	O-Ring	1	All	* Available in kit 1060 298 030
71.170	1056 370 051	Ring	1	All	
71.180	0730 501 482	Retaining Ring	1	All	
71.200	0735 368 038	Axial Needle Bearing	1	All	

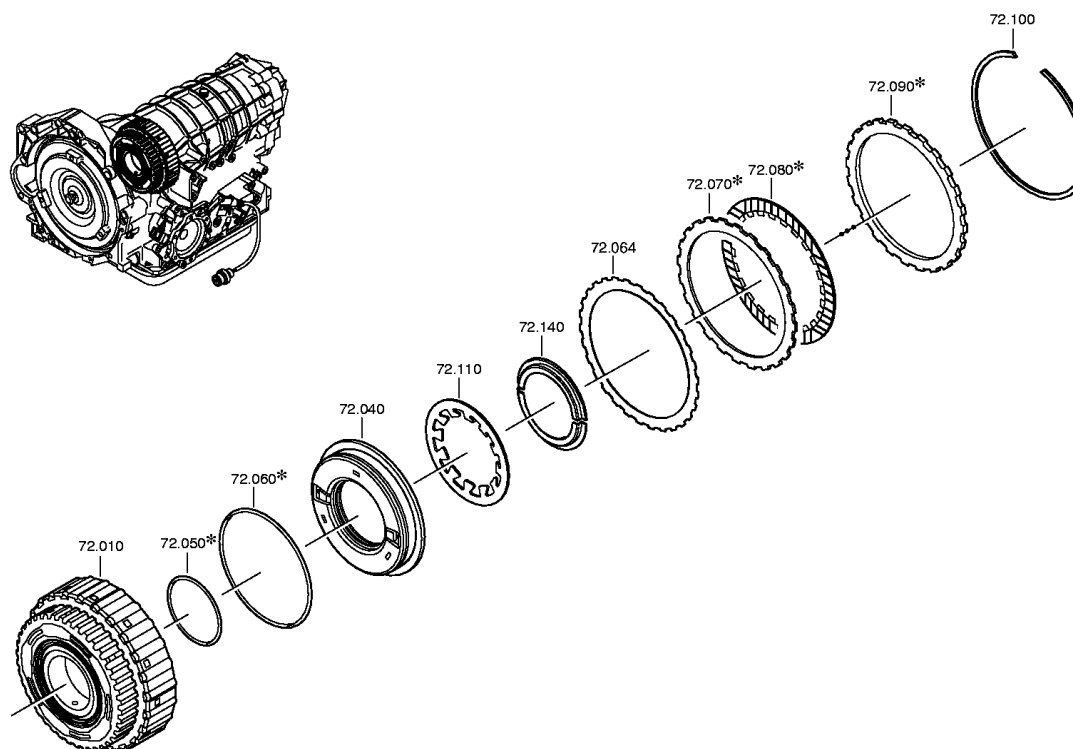


Note: Parts marked with \* are only available in kits.



5HP19 Spare Parts – Clutch Pack Groups (continued)

Pos #	ZF Part #	Description	Qty	Where used (1060 000 ___)	Notes
72.010	1056 272 051	Cylinder B	1	All	
72.040	1060 272 008	Piston	1	All	
72.050	0734 313 010	O-Ring	1	All	* Available in kit 1060 298 030
72.060	0734 313 007	O-Ring	1	All	* Available in kit 1060 298 030
72.064	0501 315 488	Undulated Spring	1	All	
72.070	1060 372 002	Steel Plate B	2	All	* Available in kit 1060 298 027
72.080	1060 272 003	Friction Plate B	2	All	* Available in kit 1060 298 023
72.090	1060 372 003	End Plate B	1	All	* Available in kit 1060 298 027
72.100	See Page 30	Clutch B Snap Ring	1	All	Selective Snap Ring
72.110	0501 315 493	Cup Spring	1	All	
72.140	1056 310 061	Stop Ring	1	All	



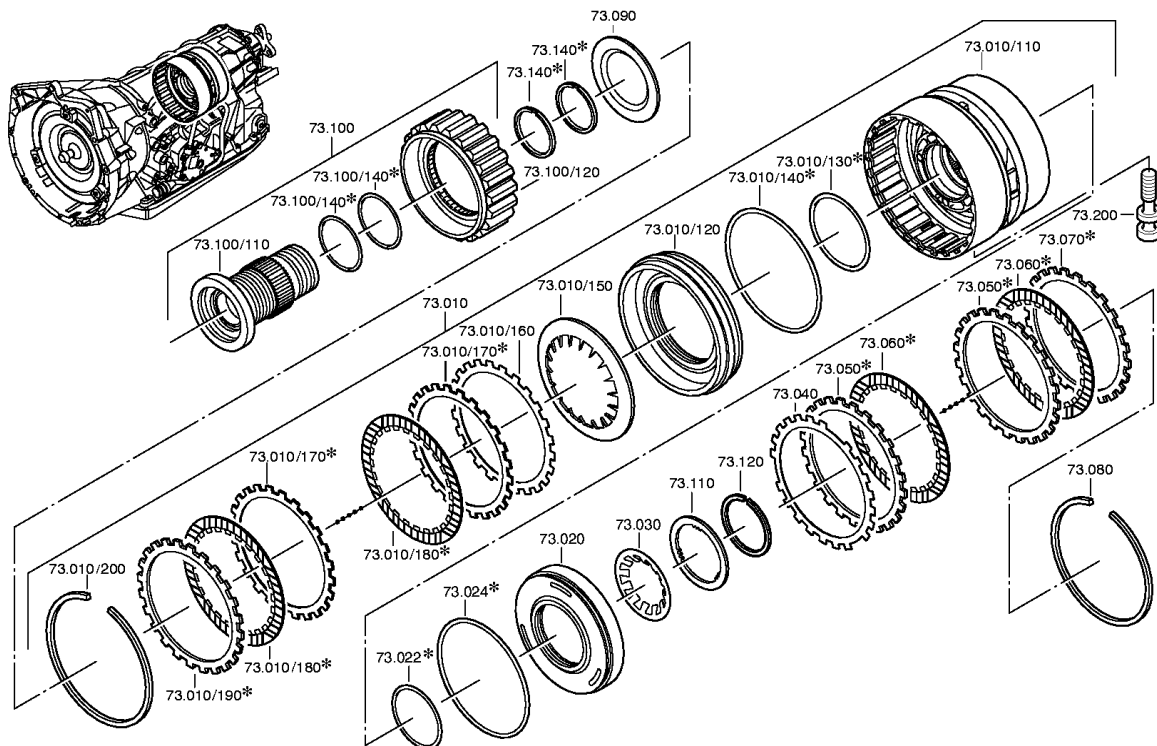
Note: Parts marked with \* are only available in kits.

ZF 5HP19 Automatic Transmission - Spare Parts Catalog



5HP19 Spare Parts – Clutch Pack Groups (continued)

Pos #	ZF Part #	Description	Qty	Where used (1060 000 ___)	Notes
73.010	1060 273 004	Cylinder D	1	005/009/010	
	1060 273 010	Cylinder D	1	008	
73.010/110	1056 373 032	Cylinder D	1	005/009/010	
	1056 373 033	Cylinder D	1	008	
73.010/120	1050 317 050	Piston	1	All	
73.010/130	0734 313 008	O-Ring	1	All	* Available in kit 1060 298 030
73.010/140	0734 313 006	O-Ring	1	All	* Available in kit 1060 298 030
73.010/150	0501 316 285	Cup Spring	1	All	
73.010/160	1056 373 003	Spring Clutch Disc	1	All	
73.010/170	1060 370 002	Steel Plate D	5	008	* Available in kit 1060 298 027
	1060 370 002	Steel Plate D	6	005/009/010	* Available in kit 1060 298 027
73.010/180	1050 217 002	Friction Plate D	5	008	* Available in kit 1060 298 023
	1050 217 002	Friction Plate D	6	005/009/010	* Available in kit 1060 298 023
73.010/190	1060 370 003	End Plate D	1	All	* Available in kit 1060 298 027
73.010/200	See Page 31	Clutch D Snap Ring	1	All	Selective Snap Ring
73.020	1060 373 013	Piston	1	All	
73.022	0734 313 021	O-Ring	1	All	* Available in kit 1060 298 030
73.024	0734 313 010	O-Ring	1	All	* Available in kit 1060 298 030



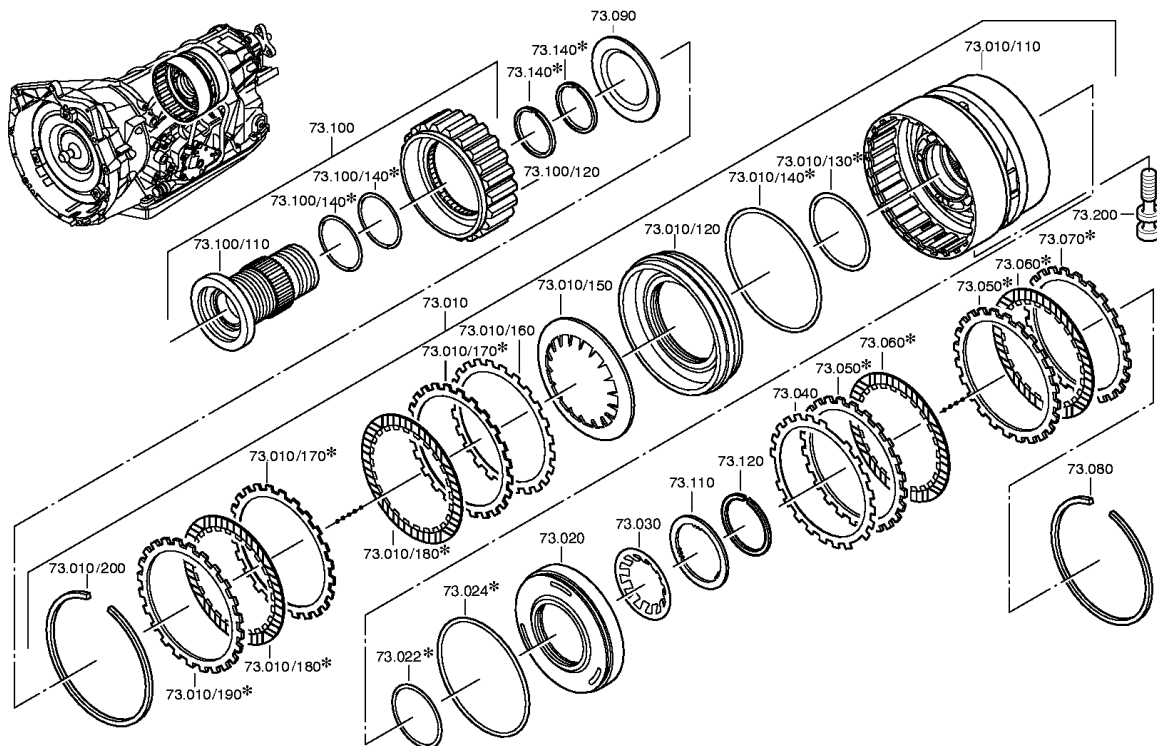
Note: Parts marked with \* are only available in kits.

ZF 5HP19 Automatic Transmission - Spare Parts Catalog



5HP19 Spare Parts – Clutch Pack Groups (continued)

Pos #	ZF Part #	Description	Qty	Where used (1060 000 ___)	Notes
73.030	0501 315 932	Cup Spring	1	All	
73.040	0501 315 943	Undulated Spring	1	All	
73.050	1060 377 003	Steel Plate G	3	008	* Available in kit 1060 298 027
	1060 377 003	Steel Plate G	4	005/009/010	* Available in kit 1060 298 027
73.060	1060 273 005	Friction Plate G	3	008	* Available in kit 1060 298 023
	1060 273 005	Friction Plate G	4	005/009/010	* Available in kit 1060 298 023
73.070	1060 377 004	End Plate G	1	All	* Available in kit 1060 298 027
73.080	See Page 31	Clutch G Snap Ring	1	All	Selective Snap Ring
73.090	1056 373 021	Fixing Washer	1	All	
73.100	1060 273 035	Carrier	1	All	
73.100/110	1060 273 028	Carrier	1	All	
73.100/120	1060 273 034	Free Wheel	1	All	
73.100/140	0734 313 086	O-Ring	2	All	* Available in kit 1060 298 030
73.110	1056 376 005	Thrust Washer	1	All	
73.120	0730 513 461	Snap Ring	1	All	
73.140	0734 317 205	Piston Ring	2	All	* Available in kit 1060 298 030
73.200	0736 101 137	Torx Screw M10x55	3	All	



Note: Parts marked with \* are only available in kits.

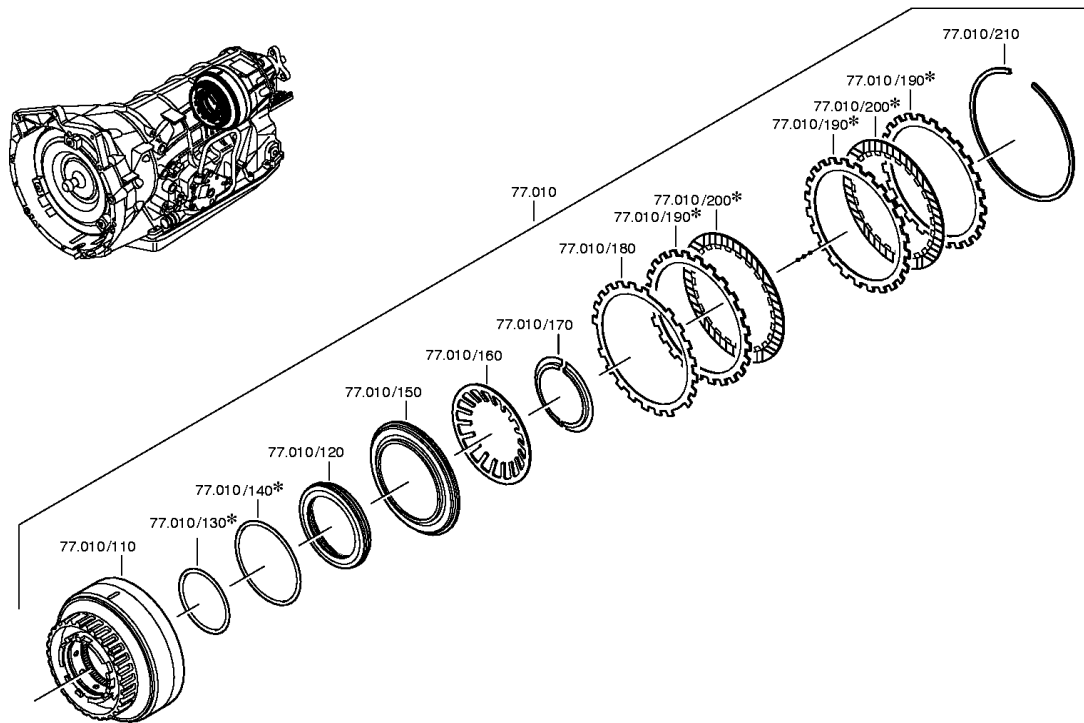


ZF 5HP19 Automatic Transmission - Spare Parts Catalog



5HP19 Spare Parts – Clutch Pack Groups (continued)

Pos #	ZF Part #	Description	Qty	Where used (1060 000 ___)	Notes
77.010	1060 277 021	Cylinder F	1	005/009/010	
	1060 277 022	Cylinder F	1	008	
77.010/110	1060 277 010	Cylinder F	1	005/009/010	
	1060 277 018	Cylinder F	1	008	
77.010/120	1056 377 038	Piston	1	All	
77.010/130	0734 313 008	O-Ring	1	All	* Available in kit 1060 298 030
77.010/140	0734 313 010	O-Ring	1	All	* Available in kit 1060 298 030
77.010/150	1060 377 016	Pressure Plate	1	All	
77.010/160	0501 315 931	Cup Spring	1	All	
77.010/170	1060 377 009	Stop Ring	1	All	
77.010/180	0501 315 943	Undulated Spring	1	All	
77.010/190	1060 377 002	Steel Plate F	5	008	* Available in kit 1060 298 027
	1060 377 002	Steel Plate F	6	005/009/010	* Available in kit 1060 298 027
77.010/200	1060 273 005	Friction Plate F	4	008	* Available in kit 1060 298 023
	1060 273 005	Friction Plate F	5	005/009/010	* Available in kit 1060 298 023
77.010/210	See Page 31	Clutch F Snap Ring	1	All	Selective Snap Ring



Note: Parts marked with \* are only available in kits.

ZF 5HP19 Automatic Transmission - Spare Parts Catalog



5HP19 Valve Body – Duct Plate Group

Pos #	ZF Part #	Description	Qty	Where used (1060 000 ___)	Notes
27.010	1060 327 142	Duct Plate	1	All	
27.020	0501 210 474	Speed Sensor (Hall Effect)	1	All	
27.030	0736 101 233	Torx Screw M6x15	1	All	
27.040	0501 311 086	Speed Sensor	1	All	
27.060	0736 101 397	Torx Screw M5x18	2	All	
27.070	0501 313 177	Screen	1	All	
27.090	1060 227 019	Valve	1	All	
27.100	1043 326 037	Ball	2	All	
27.104	1056 327 039	Valve Orifice D=1.7	1	All	
27.110	1056 327 077	Valve Orifice D=2.5	1	All	
27.114	1056 327 039	Valve Orifice D=1.7	1	All	
27.120	1056 327 039	Valve Orifice D=1.7	1	All	
27.124	1056 327 018	Valve Orifice D=0.8	1	All	
27.130	1056 327 020	Valve Orifice D=1.2	1	All	
27.134	1056 327 045	Valve Orifice D=1.9	1	All	
27.140	1056 327 020	Valve Orifice D=1.2	1	All	
27.144	1056 327 077	Valve Orifice D=2.5	1	All	
27.150	1056 327 019	Valve Orifice D=1.0	1	All	
27.164	1056 327 020	Valve Orifice D=1.2	1	All	
27.170	1056 327 094	Valve Orifice D=1.4	1	All	
27.174	1056 327 040	Valve Orifice (solid)	1	All	
27.180	1019 327 063	Valve Orifice D=1.0	1	All	
27.188	0501 314 645	Rubber Part	1	All	* Available in kit 1060 298 030
	1068 227 039	Piston	1	All	* Available in kit 1060 298 030
27.190	1019 327 063	Valve Orifice D=1.0	1	All	
27.194	1056 327 020	Valve Orifice D=1.2	1	All	
27.198	0501 314 645	Rubber Part	1	All	* Available in kit 1060 298 030
	1068 227 039	Piston	1	All	* Available in kit 1060 298 030
27.200	1019 327 063	Valve Orifice D=1.0	1	All	
27.208	0501 314 645	Rubber Part	1	All	* Available in kit 1060 298 030
	1068 227 039	Piston	1	All	* Available in kit 1060 298 030
27.210	1019 327 063	Valve Orifice D=1.0	1	All	
27.220	1060 327 075	Gasket	1	All	* Available in kit 1060 298 030
27.230	1060 327 128	Intermediate Sheet	1	All	
27.250	0736 101 354	Torx Screw M5x60	4	All	
27.260	0736 101 354	Torx Screw M5x60	7	All	
27.270	0736 101 352	Torx Screw M5x40	10	All	
27.280	0631 302 165	Cylindrical Pin	1	All	
27.290	0736 101 350	Torx Screw M6x44	7	All	
27.340	1060 227 021	Wiring Harness	1	All	
27.340/116	0501 209 253	O-Ring	2	All	* Available in kit 1060 298 030
27.350	0501 305 955	Cable Terminal	1	All	
27.360	0501 315 055	Clip	1	All	
27.390	1058 327 026	Retaining Clamp	1	All	
27.410	0736 101 348	Torx Screw M6x59	14	All	
27.420	0501 210 388	Filter	1	All	* Available in kit 5HP19FK

Note: Parts marked with \* are only available in kits.



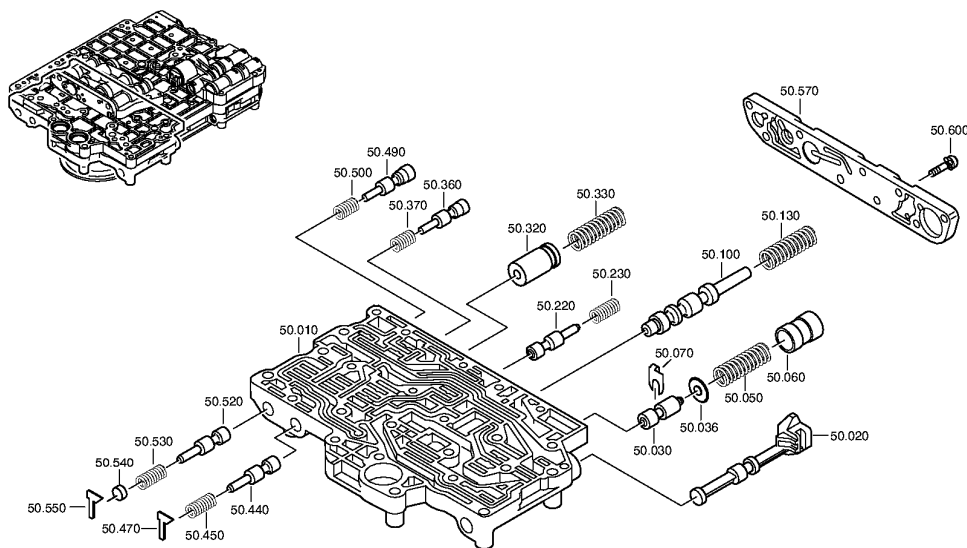


ZF 5HP19 Automatic Transmission - Spare Parts Catalog



5HP19 Valve Body – Valve Housing Groups

Pos #	ZF Part #	Description	Qty	Where used (1060 000 ___)	Notes
50.010	1060 327 138	Valve Housing	1	All	
50.020	1056 327 173	Selector Shift Valve	1	All	
50.030	1056 327 003	Piston	1	All	
50.036	1024 323 202	Spring Cup	1	All	
50.050	0732 041 524	Compression Spring	1	All	
50.060	1056 327 183	Piston	1	All	
50.070	1056 327 142	Stop Plate	1	All	
50.100	1060 327 096	Piston	1	All	
50.130	0732 041 197	Compression Spring	1	All	
50.220	1043 326 169	Valve Spool	1	All	
50.230	0732 041 462	Compression Spring	1	All	
50.320	1058 327 017	Damper Piston	1	All	
50.330	0732 042 653	Compression Spring	1	All	
50.360	1055 327 059	Piston	1	All	
50.370	0732 042 567	Compression Spring	1	All	
50.440	1043 326 169	Valve Spool	1	All	
50.450	0732 042 660	Compression Spring	1	All	
50.470	1068 327 007	Support Plate	1	All	
50.490	1060 327 105	Piston	1	All	
50.500	0732 041 527	Compression Spring	1	All	
50.520	1043 326 169	Valve Spool	1	All	
50.530	0732 042 660	Compression Spring	1	All	
50.540	1055 327 101	Sealing Cap	1	All	
50.550	1068 327 007	Support Plate	1	All	
50.570	1060 327 049	Cover	1	All	
50.600	0736 101 066	Torx Screw M5x18	9	All	



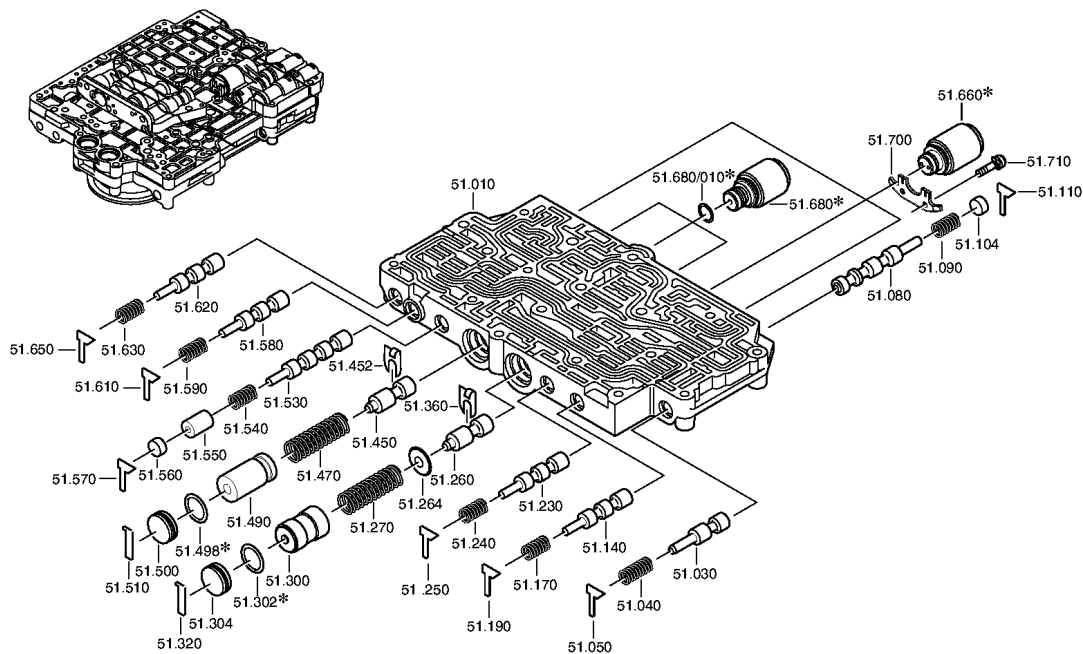
Note: Parts marked with \* are only available in kits.

ZF 5HP19 Automatic Transmission - Spare Parts Catalog



5HP19 Valve Body – Valve Housing Groups (continued)

Pos #	ZF Part #	Description	Qty	Where used (1060 000 ___)	Notes
51.010	1060 327 125	Valve Housing	1	All	
51.030	1043 326 169	Valve Spool	1	All	
51.040	0732 041 820	Compression Spring	1	All	
51.050	1068 327 007	Support Plate	1	All	
51.080	1056 327 029	Gear Shift Slide	1	All	
51.090	0732 041 826	Compression Spring	1	All	
51.104	1043 326 307	Plug	1	All	
51.110	1068 327 007	Support Plate	1	All	
51.140	1056 327 028	Piston	1	All	
51.170	0732 041 826	Compression Spring	1	All	
51.190	1068 327 007	Support Plate	1	All	
51.230	1043 326 169	Valve Spool	1	All	
51.240	0732 041 826	Compression Spring	1	All	
51.250	1068 327 007	Support Plate	1	All	
51.260	1056 327 003	Piston	1	All	
51.264	1024 323 202	Spring Cup	1	All	
51.270	0732 042 115	Compression Spring	1	All	
51.300	1056 327 183	Piston	1	All	
51.302	0734 313 190	O-Ring	1	All	* Available in kit 1060 298 030
51.304	1060 327 068	Plug	1	All	
51.320	1060 327 119	Locking Wire	1	All	
51.360	1056 327 142	Stop Plate	1	All	
51.450	1060 327 116	Piston	1	All	



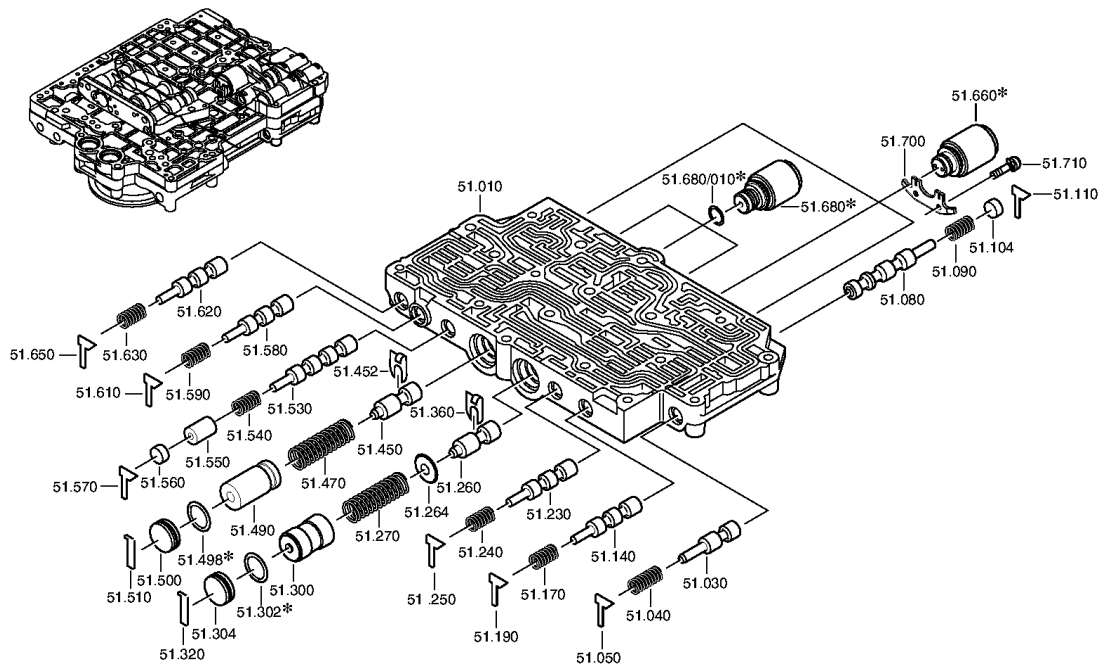
Note: Parts marked with \* are only available in kits.

ZF 5HP19 Automatic Transmission - Spare Parts Catalog



5HP19 Valve Body – Valve Housing Groups (continued)

Pos #	ZF Part #	Description	Qty	Where used (1060 000 ___)	Notes
51.452	1056 327 142	Stop Plate	1	All	
51.470	0732 042 653	Compression Spring	1	All	
51.490	1058 327 017	Damper Piston	1	All	
51.498	0734 313 190	O-Ring	1	All	* Available in kit 1060 298 030
51.500	1060 327 068	Plug	1	All	
51.510	1060 327 119	Locking Wire	1	All	
51.530	1060 327 106	Piston	1	All	
51.540	0732 041 755	Compression Spring	1	All	
51.550	1060 327 107	Piston	1	All	
51.560	1043 326 307	Plug	1	All	
51.570	1068 327 007	Support Plate	1	All	
51.580	1043 326 169	Valve Spool	1	All	
51.590	0732 041 337	Compression Spring	1	All	
51.610	1068 327 007	Support Plate	1	All	
51.620	1056 327 028	Piston	1	All	
51.630	0732 041 826	Compression Spring	1	All	
51.650	1068 327 007	Support Plate	1	All	
51.660	0501 316 463	Solenoid Valve	3	All	* Available in kit 1060 298 033
51.680	0501 210 019	Pressure Regulator	3	All	* Available in kit 1060 298 033
51.680/010	0734 313 219	O-Ring	3	All	* Available in kit 1060 298 030 * Available in kit 1060 298 033
51.700	1056 327 135	Fixing Plate	2	All	
51.710	0736 101 094	Torx Screw M5x12	4	All	



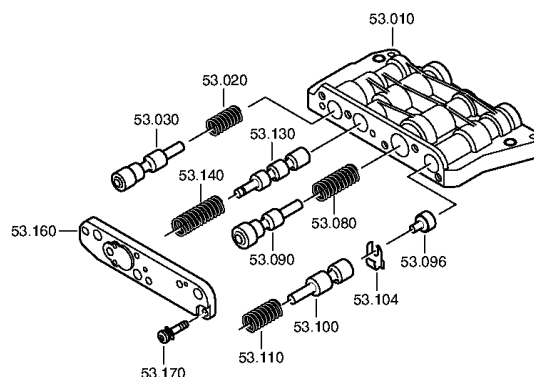
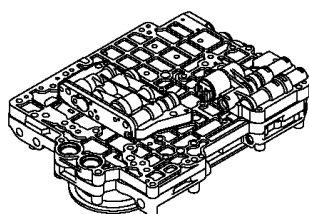
Note: Parts marked with \* are only available in kits.

ZF 5HP19 Automatic Transmission - Spare Parts Catalog



5HP19 Valve Body – Valve Housing Groups (continued)

Pos #	ZF Part #	Description	Qty	Where used (1060 000 ___)	Notes
53.010	1060 327 098	Valve Housing	1	005/008/009	
53.010	1060 327 099	Valve Housing	1	010	
53.020	0732 042 567	Compression Spring	1	All	
53.030	1055 327 059	Piston	1	All	
53.080	0732 041 109	Compression Spring	1	All	
53.090	1058 327 016	Piston	1	010	
	1058 327 024	Piston	1	005/008/009	
53.096	1060 327 104	Piston	1	All	
53.100	1043 327 078	Piston	1	All	
53.104	1056 327 078	Stop Plate	1	All	
53.110	0732 042 534	Compression Spring	1	All	
53.130	1060 327 045	Valve Housing	1	All	
53.140	0732 041 781	Compression Spring	1	All	
53.160	1060 327 050	Cover	1	All	
53.170	0736 101 066	Torx Screw M5x18	5	All	



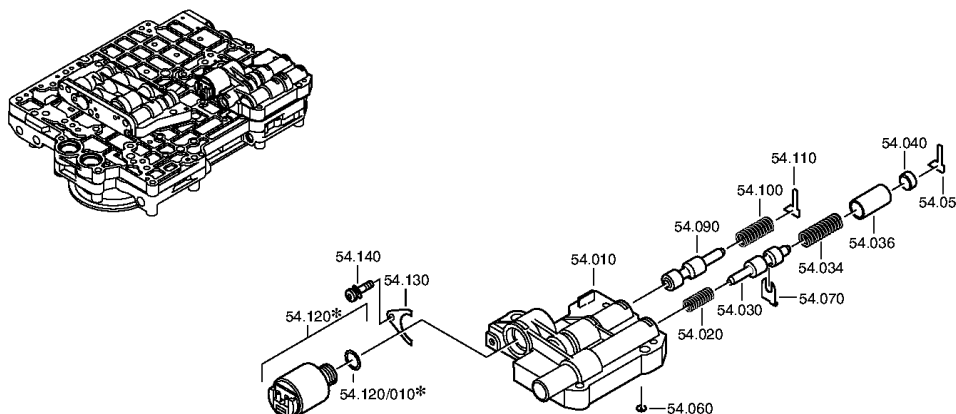
Note: Parts marked with \* are only available in kits.

ZF 5HP19 Automatic Transmission - Spare Parts Catalog



5HP19 Valve Body – Valve Housing Groups (continued)

Pos #	ZF Part #	Description	Qty	Where used (1060 000 ___)	Notes
54.010	1060 327 081	Valve Housing	1	All	
54.020	0732 042 567	Compression Spring	1	All	
54.030	1056 328 013	Piston	1	All	
54.034	0732 042 568	Compression Spring	1	All	
54.036	1056 327 177	Piston	1	All	
54.040	1060 327 053	Plug	1	All	
54.050	1068 327 007	Support Plate	1	All	
54.060	1060 327 044	Valve Orifice D=1.2	1	All	
54.070	1060 327 126	Stop Plate	1	All	
54.090	1043 326 169	Valve Spool	1	All	
54.100	0732 041 819	Compression Spring	1	All	
54.110	1068 327 007	Support Plate	1	All	
54.120	0501 210 725	Pressure Regulator	1	All	* Available in kit 1060 298 033
54.120/010	0634 316 523	O-Ring	1	All	* Available in kit 1060 298 030 * Available in kit 1060 298 033
54.130	1019 327 065	Fixing Plate	1	All	
54.140	0736 101 094	Torx Screw M5x12	1	All	



Note: Parts marked with \* are only available in kits.



**ZF 5HP19 Automatic Transmission - Spare Parts Catalog**



**5HP19 Selective Shims & Snap Rings**

**5HP19 Selective Snap Ring**

Pos #	Select. Parts	Description	Qty	Where used (1060 000 ___)
<b>10.340</b>		<b>Clutch C Snap Ring</b>	<b>1</b>	<b>All</b>
	1056 310 054	Snap Ring A=1.40		
	1056 310 055	Snap Ring A=1.60		
	1056 310 056	Snap Ring A=1.80		
	1056 310 057	Snap Ring A=2.00		
	1056 310 058	Snap Ring A=2.20		
	1056 310 059	Snap Ring A=2.40		
	1056 310 060	Snap Ring A=2.60		
	1056 310 097	Snap Ring A=2.80		

**5HP19 Selective Shim**

Pos #	Select. Parts	Description	Qty	Where used (1060 000 ___)
<b>10.400</b>		<b>Intermediate Plate Shim</b>	<b>1</b>	<b>All</b>
	0730 105 263	Shim A=1.00		
	0730 105 264	Shim A=1.20		
	0730 105 265	Shim A=1.40		
	0730 105 266	Shim A=1.60		
	0730 105 267	Shim A=1.80		
	0730 105 268	Shim A=2.00		
	0730 105 269	Shim A=2.20		
	0730 105 270	Shim A=2.40		
	0730 105 271	Shim A=2.60		
	0730 105 272	Shim A=2.80		
	0730 105 273	Shim A=3.00		
	0730 105 274	Shim A=3.20		
	0730 105 275	Shim A=3.40		
	0730 105 276	Shim A=3.60		

**5HP19 Selective Shim**

Pos #	Select. Parts	Description	Qty	Where used (1060 000 ___)
<b>14.050</b>		<b>Output Shim</b>	<b>1</b>	<b>All</b>
	0730 107 753	Shim A=0.80		
	0730 107 754	Shim A=1.00		
	0730 107 755	Shim A=1.20		
	0730 107 756	Shim A=1.40		
	0730 107 757	Shim A=1.60		
	0730 107 758	Shim A=1.80		
	0730 107 759	Shim A=2.00		
	0730 107 760	Shim A=2.20		
	0730 107 761	Shim A=2.40		
	0730 107 762	Shim A=2.60		
	0730 107 763	Shim A=2.80		

**ZF 5HP19 Automatic Transmission - Spare Parts Catalog**



**5HP19 Selective Shims & Snap Rings (continued)**

**5HP19 Selective Snap Ring**

Pos #	Select. Parts	Description	Qty	Where used (1060 000 ___)
<b>70.010/230</b>		<b>Clutch A Snap Ring</b>	<b>1</b>	<b>All</b>
	0730 513 293	Snap Ring A=1.00		
	0730 513 294	Snap Ring A=1.20		
	0730 513 295	Snap Ring A=1.40		
	0730 513 296	Snap Ring A=1.60		
	0730 513 297	Snap Ring A=1.80		
	0730 513 298	Snap Ring A=2.00		
	0730 513 299	Snap Ring A=2.20		
	0730 513 300	Snap Ring A=2.40		
	0730 513 301	Snap Ring A=2.60		
	0730 513 302	Snap Ring A=2.80		

**5HP19 Selective Snap Ring**

Pos #	Select. Parts	Description	Qty	Where used (1060 000 ___)
<b>71.130</b>		<b>Clutch E Snap Ring</b>	<b>1</b>	<b>All</b>
	0730 513 613	Snap Ring A=1.00		
	0730 513 614	Snap Ring A=1.20		
	0730 513 615	Snap Ring A=1.40		
	0730 513 567	Snap Ring A=1.50		
	0730 513 616	Snap Ring A=1.60		
	0730 513 617	Snap Ring A=1.80		
	0730 513 618	Snap Ring A=2.00		
	0730 513 619	Snap Ring A=2.20		
	0730 513 620	Snap Ring A=2.40		
	0730 513 621	Snap Ring A=2.60		
	0730 513 622	Snap Ring A=2.80		

**5HP19 Selective Snap Ring**

Pos #	Select. Parts	Description	Qty	Where used (1060 000 ___)
<b>72.100</b>		<b>Clutch B Snap Ring</b>	<b>1</b>	<b>All</b>
	1056 371 069	Snap Ring A=1.00		
	1056 372 070	Snap Ring A=1.20		
	1056 372 071	Snap Ring A=1.40		
	1056 372 072	Snap Ring A=1.60		
	1056 372 073	Snap Ring A=1.80		
	1056 372 074	Snap Ring A=2.00		



**ZF 5HP19 Automatic Transmission - Spare Parts Catalog**



**5HP19 Selective Shims & Snap Rings (continued)**

**5HP19 Selective Snap Ring**

Pos #	Select. Parts	Description	Qty	Where used (1060 000 ___)
<b>73.010/200</b>		<b>Clutch D Snap Ring</b>	<b>1</b>	<b>All</b>
	0730 513 299	Snap Ring A=2.20		
	0730 513 300	Snap Ring A=2.40		
	0730 513 301	Snap Ring A=2.60		
	0730 513 302	Snap Ring A=2.80		
	0730 513 362	Snap Ring A=3.00		
	0730 513 568	Snap Ring A=3.20		
	0730 513 569	Snap Ring A=3.40		
	0730 513 570	Snap Ring A=3.60		
	0730 513 571	Snap Ring A=3.80		
	0730 513 364	Snap Ring A=4.00		
	0730 513 667	Snap Ring A=4.20		

**5HP19 Selective Snap Ring**

Pos #	Select. Parts	Description	Qty	Where used (1060 000 ___)
<b>73.080</b>		<b>Clutch G Snap Ring</b>	<b>1</b>	<b>All</b>
	0730 513 212	Snap Ring A=1.80		
	0730 513 220	Snap Ring A=2.00		
	0730 513 221	Snap Ring A=2.20		
	0730 513 222	Snap Ring A=2.40		
	0730 513 223	Snap Ring A=2.60		
	0730 513 224	Snap Ring A=2.80		
	0730 513 439	Snap Ring A=3.00		
	0730 513 440	Snap Ring A=3.20		
	0730 513 441	Snap Ring A=3.40		

**5HP19 Selective Snap Ring**

Pos #	Select. Parts	Description	Qty	Where used (1060 000 ___)
<b>77.010/210</b>		<b>Clutch F Snap Ring</b>	<b>1</b>	<b>All</b>
	0730 513 210	Snap Ring A=1.20		
	0730 513 211	Snap Ring A=1.40		
	0730 513 219	Snap Ring A=1.60		
	0730 513 212	Snap Ring A=1.80		
	0730 513 220	Snap Ring A=2.00		
	0730 513 221	Snap Ring A=2.20		
	0730 513 222	Snap Ring A=2.40		
	0730 513 223	Snap Ring A=2.60		
	0730 513 224	Snap Ring A=2.80		

**ZF 5HP19 Automatic Transmission - Spare Parts Catalog**



**5HP19 Kit Content**

**5HP19 Fiber Clutch Kit – 1060 298 023**

Pos #	ZF Part #	Description	Qty	Where used (1060 000 ___)	Notes
10.300	1019 273 019	Friction Plate C	4	All	005/008/009 use 3 pieces
70.010/210	1060 271 005	Friction Plate A	5	All	008 uses 4 pieces
71.110	1050 230 032	Friction Plate E	5	All	008 uses 4 pieces
72.080	1060 272 003	Friction Plate B	2	All	
73.010/180	1050 217 002	Friction Plate D	6	All	008 uses 5 pieces
73.060	1060 273 005	Friction Plate G	4	All	008 uses 3 pieces
77.010/200	1060 273 005	Friction Plate F	5	All	008 uses 4 pieces

**5HP19 Steel Kit – 1060 298 027**

Pos #	ZF Part #	Description	Qty	Where used (1060 000 ___)	Notes
10.290	1060 310 027	Steel Plate C	3	005/008/009	
	1060 310 053	Steel Plate C	4	010	
10.310	1060 310 005	End Plate C	2	All	
70.010/200	1060 370 002	Steel Plate A	5	All	008 uses 4 pieces
70.010/220	1060 370 003	End Plate A	1	All	
71.100	1060 371 002	Steel Plate E	5	All	008 uses 4 pieces
71.120	1060 371 003	End Plate E	1	All	
72.070	1060 372 002	Steel Plate B	2	All	
72.090	1060 372 003	End Plate B	1	All	
73.010/170	1060 370 002	Steel Plate D	6	All	008 uses 5 pieces
73.010/190	1060 370 003	End Plate D	1	All	
73.050	1060 377 003	Steel Plate G	4	All	008 uses 3 pieces
73.070	1060 377 004	End Plate G	1	All	
77.010/190	1060 377 002	Steel Plate F	6	All	008 uses 5 pieces

**5HP19 Overhaul Kit – 1060 298 030**

Pos #	ZF Part #	Description	Qty	Where used (1060 000 ___)	Notes
01.010/200	0734 319 623	Shaft Seal	1	All	
01.010/340	0636 308 025	Screw Plug M18x1.5	1	All	
01.090	0636 308 024	Screw Plug M12x1.5	1	All	
01.650	0501 318 572	Screw Plug M10x1	1	All	
03.010/130	0636 308 018	Screw Plug M16x1.5	1	All	Oil sump with M16 thread
	0736 302 062	Screw Plug M14x1.5	1	All	Oil sump with M14 thread
03.020	1060 390 002	Gasket	1	All	
10.010/160	0734 310 316	Shaft Seal	1	All	
10.030	0734 313 178	O-Ring	1	All	
10.190	0734 313 006	O-Ring	1	All	
10.200	0734 313 117	O-Ring	1	All	
10.360	0734 313 064	O-Ring	1	All	
10.370	0750 113 015	Piston Ring	2	All	
10.380	0734 401 213	Piston Ring	1	All	
10.440	0750 112 076	Usit Ring	9	All	

**Note:** Above listed parts are not sold individually.

ZF 5HP19 Automatic Transmission - Spare Parts Catalog



**5HP19 Kit Content (continued)**

5HP19 Overhaul Kit – 1060 298 030 (continued)

Pos #	ZF Part #	Description	Qty	Where used (1060 000 ____)	Notes
10.540	0734 313 161	O-Ring	4	All	
14.010/140	0734 319 607	Shaft Seal	1	All	
14.100	0734 313 083	O-Ring	1	All	
27.188	0501 314 645	Rubber Part	1	All	Early valve body
	1068 227 039	Piston	1	All	Late valve body
27.198	0501 314 645	Rubber Part	1	All	Early valve body
	1068 227 039	Piston	1	All	Late valve body
27.208	0501 314 645	Rubber Part	1	All	Early valve body
	1068 227 039	Piston	1	All	Late valve body
27.220	1060 327 075	Gasket	1	All	
27.340/116	0501 209 253	O-Ring	2	All	
27.420/020	0501 314 578	Sealing Ring	1	All	
51.302	0734 313 190	O-Ring	1	All	
51.498	0734 313 190	O-Ring	1	All	
51.680/010	0734 313 219	O-Ring	3	All	
54.120/010	0634 316 523	O-Ring	1	All	
70.010/120	0734 313 014	O-Ring	1	All	
70.010/130	0734 313 029	O-Ring	1	All	
70.020	0734 313 163	O-Ring	1	All	
71.020	0734 317 256	Piston Ring	1	All	
71.030	0734 317 190	Sealing Ring	1	All	
71.060	0734 313 022	O-Ring	1	All	
71.070	0734 313 027	O-Ring	1	All	
71.086	0734 313 008	O-Ring	1	All	
71.150	0734 313 160	O-Ring	1	All	
71.160	0734 313 211	O-Ring	1	All	
72.050	0734 313 010	O-Ring	1	All	
72.060	0734 313 007	O-Ring	1	All	
73.010/130	0734 313 008	O-Ring	1	All	
73.010/140	0734 313 006	O-Ring	1	All	
73.022	0734 313 021	O-Ring	1	All	
73.024	0734 313 010	O-Ring	1	All	
73.100/140	0734 313 086	O-Ring	2	All	
73.140	0734 317 205	Piston Ring	2	All	
77.010/130	0734 313 008	O-Ring	1	All	
77.010/140	0734 313 010	O-Ring	1	All	

**Note:** Above listed parts are not sold individually.

## ZF 5HP19 Automatic Transmission - Spare Parts Catalog



## 5HP19 Kit Content (continued)

## 5HP19 Solenoid Kit – 1060 298 033

Pos #	ZF Part #	Description	Qty	Where used (1060 000 ____)	Notes
51.660	0501 316 463	Solenoid Valve	3	All	
51.680	0501 210 019	Pressure Regulator	3	All	
51.680/010	0734 313 219	O-Ring	3	All	
54.120	0501 210 725	Pressure Regulator	1	All	
54.120/010	0634 316 523	O-Ring	1	All	

## 5HP19 Filter Kit – 5HP19FK

Pos #	ZF Part #	Description	Qty	Where used (1060 000 ____)	Notes
03.010/130	0636 308 018	Screw Plug M16x1.5	1	All	Oil sump with M16 thread
	0736 302 062	Screw Plug M14x1.5	1	All	Oil sump with M14 thread
03.020	1060 390 002	Gasket	1	All	
27.420	0501 210 388	Filter	1	All	
27.420/020	0501 314 578	Sealing Ring	1	All	

**Note:** Above listed parts are not sold individually.

**ZF 5HP19 Automatic Transmission - Spare Parts Catalog**



**Quotation / Order Form**

**FAX FORM TO YOUR PREFERRED ZF PASSENGER CAR TRANSMISSION DISTRIBUTOR**

Purchase Order Date: \_\_\_\_\_ Purchase Order #: \_\_\_\_\_

**Customer Information**

Company Name: \_\_\_\_\_ Contact: \_\_\_\_\_  
 Street: \_\_\_\_\_ City, State & Zip: \_\_\_\_\_  
 Phone #: \_\_\_\_\_ Fax #: \_\_\_\_\_  
 Email: \_\_\_\_\_ Customer #: \_\_\_\_\_

**Shipping Information**

Ship To: \_\_\_\_\_ Attention: \_\_\_\_\_  
 Street: \_\_\_\_\_ City, State & Zip: \_\_\_\_\_  
 Request Date: \_\_\_\_\_ Ship via: \_\_\_\_\_

**Vehicle Information**

Make: \_\_\_\_\_ Model: \_\_\_\_\_  
 Model Year: \_\_\_\_\_ Transmission Spec: \_\_\_\_\_

**Order Information**

Line	Qty	Pos. #	ZF Part #	Description / Cust. Ref. No.
1				
2				
3				
4				
5				
6				
7				
8				
9				
10				
11				
12				
13				
14				
15				
16				
17				
18				
19				
20				

Signature: \_\_\_\_\_ Date: \_\_\_\_\_



**Notes**



**ZF Industries, Inc.**  
Passenger Car Transmissions  
Vernon Hills, IL 60061  
Phone +1 847 478-6868  
Fax +1 847 634-0221  
Email [passcarinfo@zf.com](mailto:passcarinfo@zf.com)  
Web [www.zf-group.com](http://www.zf-group.com)

