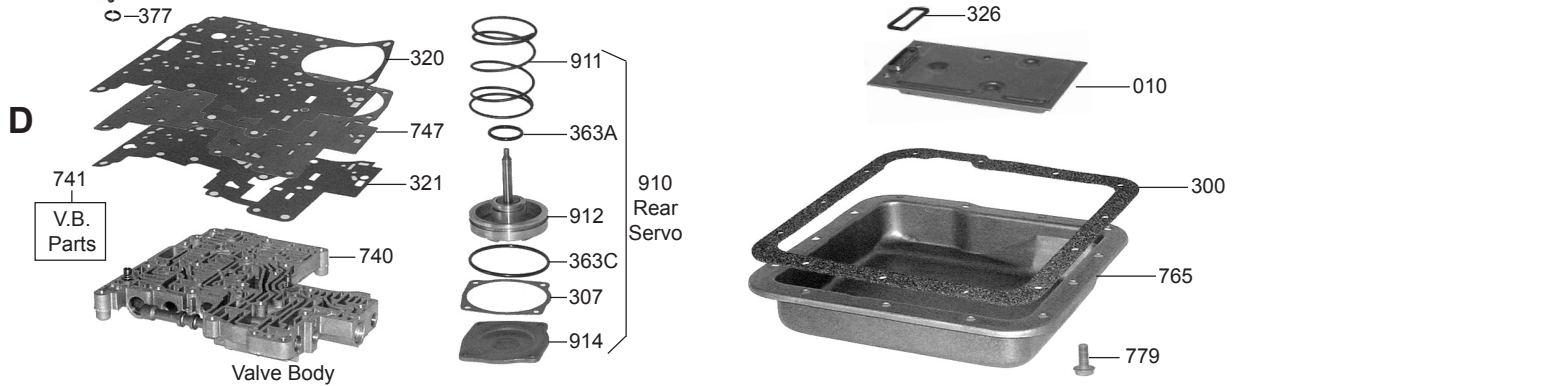
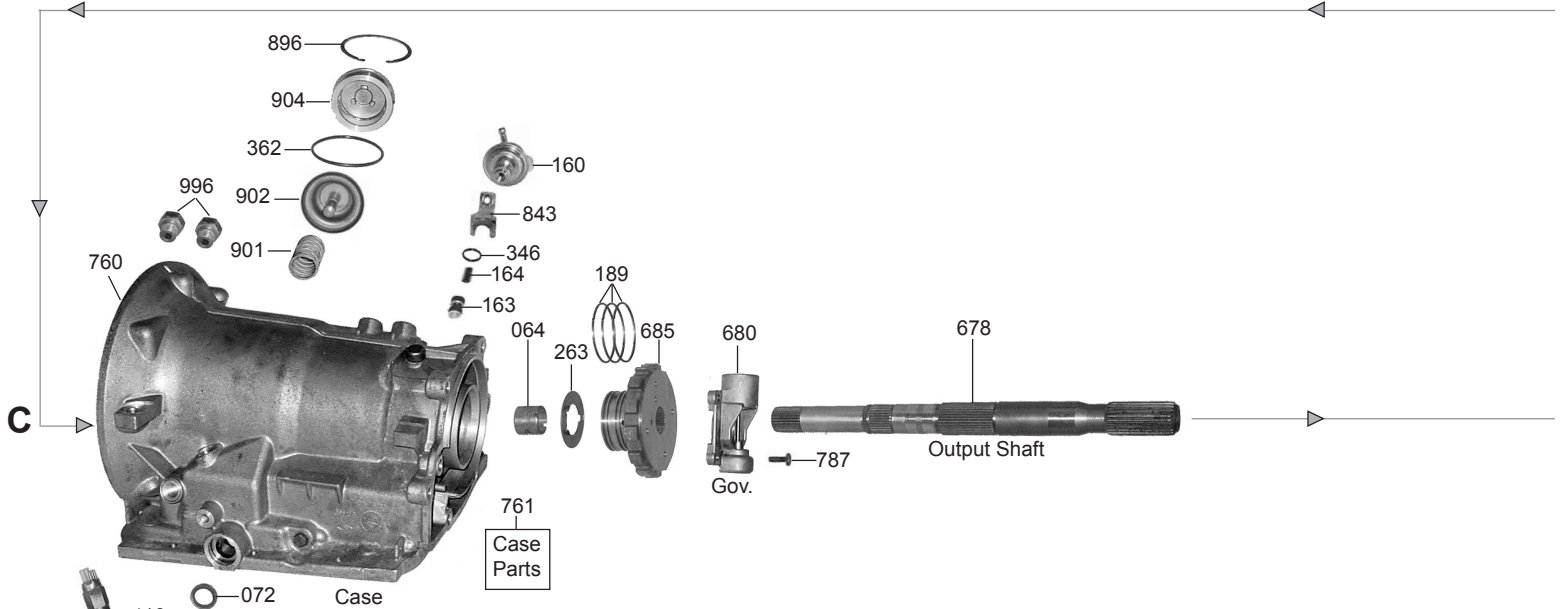
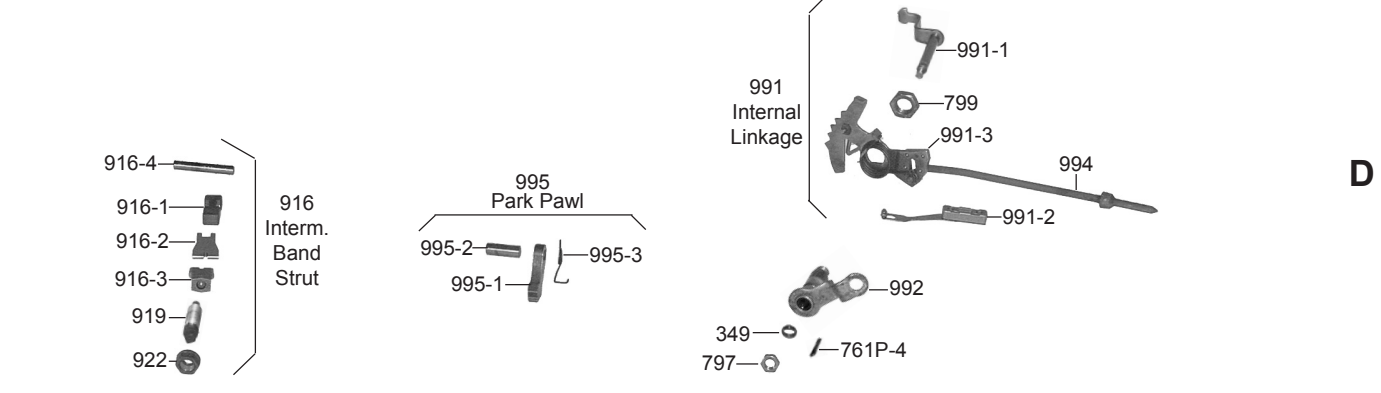
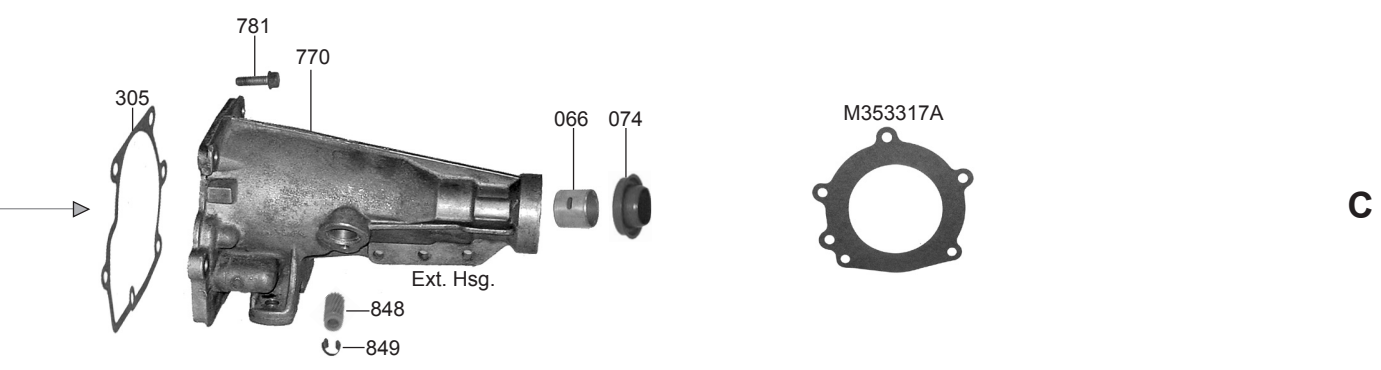
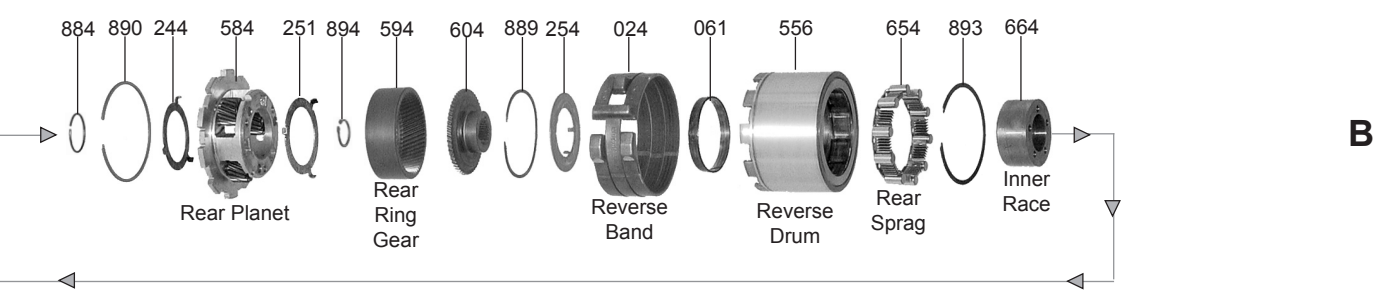
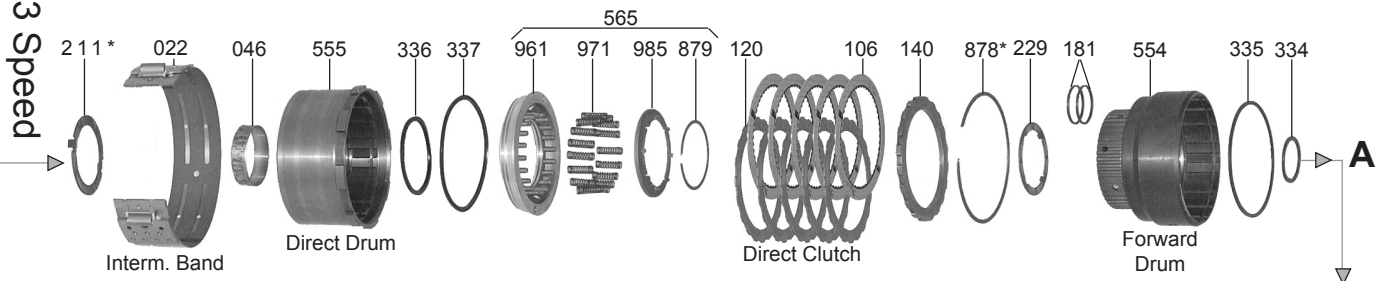


FORD



RWD 3 Speed

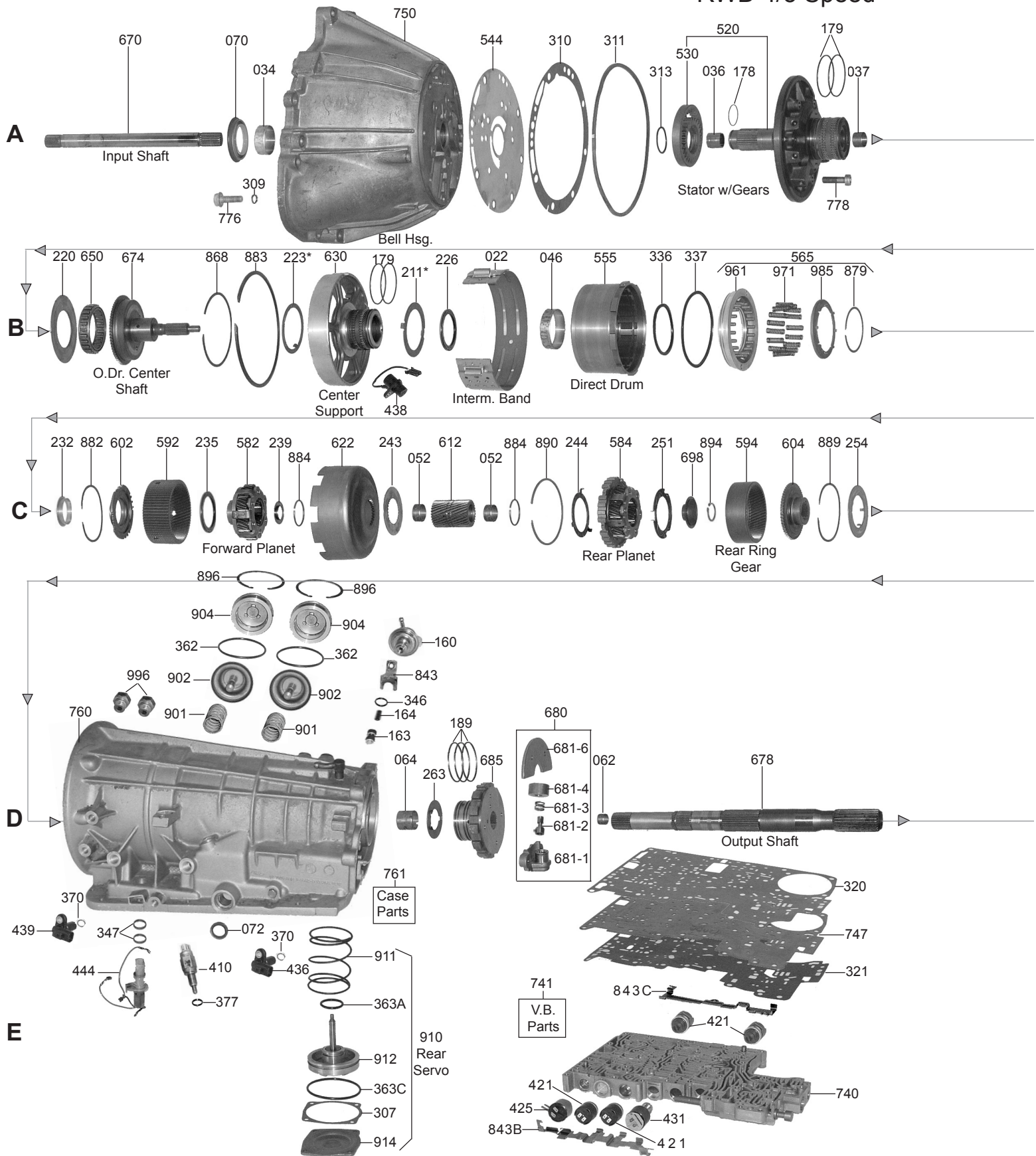


FORD

# A4LD / 4R44E / 4R55E / 5R55E

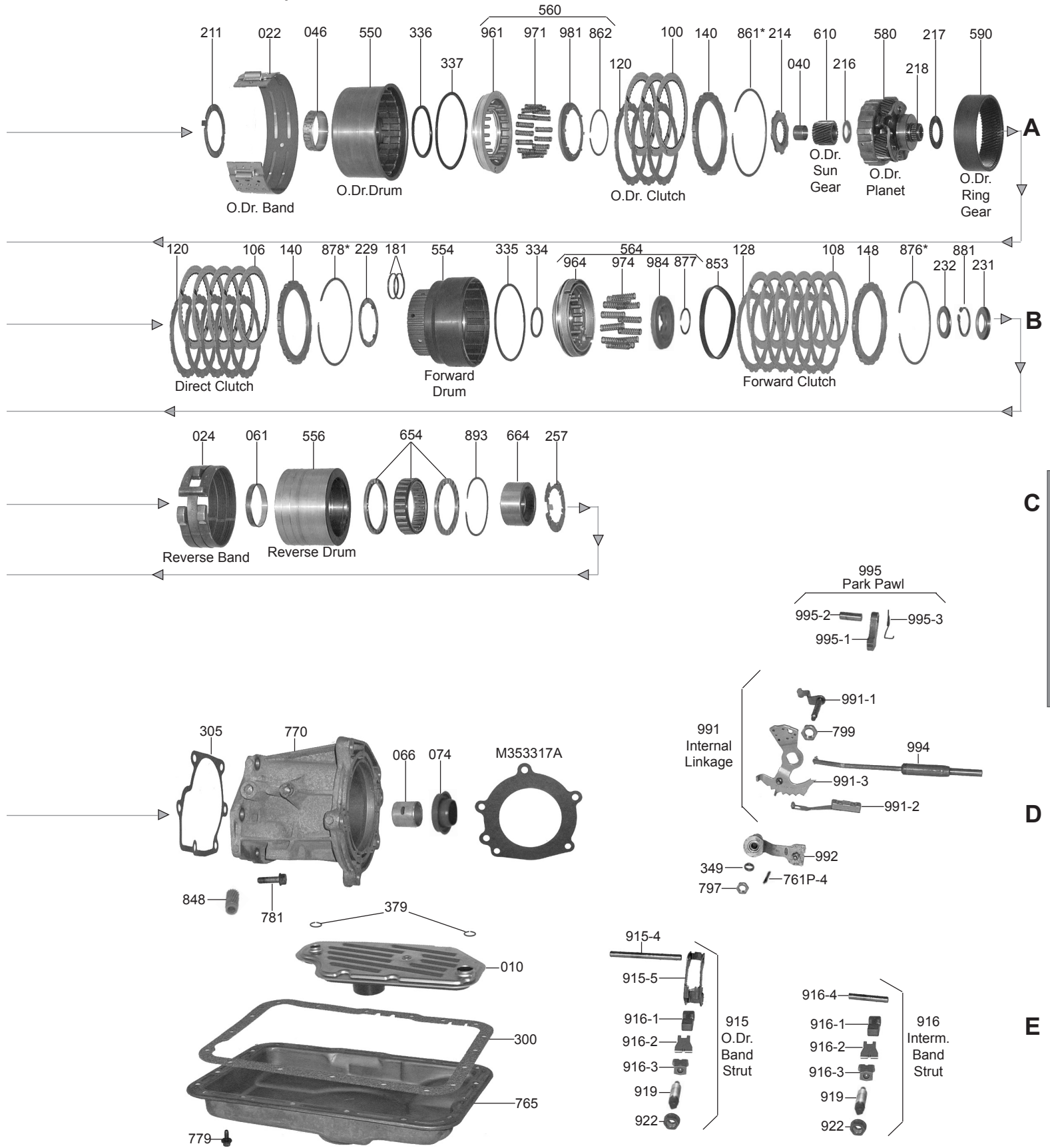


## RWD 4/5 Speed



FORD

## RWD 4/5 Speed



FORD



# C-3 / A4LD / 4R44E / 4R55E / 5R55E



RWD 3-5 Speed

PART #	PAPER & RUBBER KITS	QTY.	REFERENCE #
56000	Paper & Rubber Kit, C-3 1974-87	1	
56000E	Paper & Rubber Kit, A4LD 1985-95	1	
56000H	Paper & Rubber Kit, 4R44E/4R55E 1995-Up	1	

PART #	OVERHAUL KITS	QTY.	REFERENCE #
56002	Overhaul Kit, C-3 1974-87	1	
56002E	Overhaul Kit, A4LD 1985-95	1	
56002H	Overhaul Kit, 4R44E/4R55E 1995-96	1	
56002L	Overhaul Kit, 4R44E/4R55E/5R55E 1997-Up	1	

PART #	MASTER L/STEELS KIT	QTY.	REFERENCE #
56004A	Master L/Steels Kit, C-3 1974-87	1	
56004E	Master L/Steels Kit, A4LD 1985-89	1	
56004G	Master L/Steels Kit, A4LD 1990-95	1	
56004H	Master L/Steels Kit, 4R44E/4R55E 1995-96	1	
56004L	Master L/Steels Kit, 4R44E/4R55E/5R55E 1997-Up	1	

PART #	MASTER W/STEELS KIT	QTY.	REFERENCE #
56006	Master W/Steels Kit, C-3 1974-E78	1	
56006A	Master W/Steels Kit, C-3 L1978-87	1	
56006E	Master W/Steels Kit, A4LD 1985-89	1	
56006G	Master W/Steels Kit, A4LD 1990-95	1	
56006H	Master W/Steels Kit, 4R44E/4R55E 1995-96	1	
56006L	Master W/Steels Kit, 4R44E/4R55E/5R55E 1997-Up	1	

PART #	FILTERS	QTY.	REFERENCE #
56010	Filter, C-3 1974-87	1	D4AZ-7A098-A
56010A	Filter, A4LD 2WD (OE Style) 1985	1	
56010AA	Filter, A4LD 4x4 (OE Style) 1985	1	
56010E	Filter, A4LD 2WD (1 Square & 1 Rectangle Pick Up (Flat) 1986-88 (Metal)	1	E6TZ-7A098-B
56010EA	Filter, A4LD 2WD (Round Pick-Up 1/4" Tall)(All Metal) 1986-96	1	
56010EB	Filter, A4LD 4x4 (Metal, With Rectangle Plastic Pick-Up 1 3/8" Tall) 1985-96	1	
56010G	Filter, A4LD/4R44E/4R55E/5R55E 4x4 (1/2 Metal & 1/2 Plastic With Round Pick-Up 1 3/8" Tall) (Zero Leak) 1986-Up	1	E6TZ-7A098-A
56010H	Filter, A4LD/4R44E/4R55E/5R55E 2WD (1/2 Metal & 1/2 Plastic With Round Pick-Up (Flat) (Zero Leak) 1989-Up	1	E9TZ-7A098-C

PART #	FILTER KITS	QTY.	REFERENCE #
56011	Filter Kit, C-3 1974-87	1	
56011A	Filter Kit, A4LD 2WD (OE Style) 1985	1	
56011AA	Filter Kit, A4LD 4x4 (OE Style) 1985	1	
56011E	Filter Kit, A4LD 2WD 1986-88	1	
56011G	Filter Kit, A4LD/4R44E/4R55E/5R55E 4x4 (Zero Leak) 1986-Up	1	
56011H	Filter Kit, A4LD/4R44E/4R55E/5R55E 2WD (Zero Leak) 1989-Up	1	

PART #	MISCELLANEOUS FILTERS	QTY.	REFERENCE #
56016	Screen, A4LD TCC Solenoid	1	E8TZ-7N113-B

PART #	BANDS	QTY.	REFERENCE #
56022	Band, C-3 Intermediate Flex 1974-84	1	
56022E	Band, C-3/A4LD/4R44E/4R55E/5R55E/5R55N Intermediate & Overdrive Flex 1985-Up	1-2	E6TZ-7D034-A
56022EA	Band, A4LD Intermediate (4.0L) Double Wrap 1991-92	1	F0TZ-7F196-A
56024	Band, C-3/A4LD/4R44E/4R55E/5R55E Reverse	1	E3ZZ-7D095-A

PART #	BUSHINGS	QTY.	REFERENCE #
56030	Bushing Kit, C-3	1	
56030D	Bushing Kit, A4LD/4R44E/4R55E (W/Stamped Steel Direct Drum) 1990-Up	1	
56030E	Bushing Kit, A4LD/4R44E/4R55E (W/Cast Iron Or Steel Direct Drum) 1985-Up	1	
56034	Bushing, C-3/A4LD/4R44E/4R55E/5R55E Bell Housing / Pump (Babbit)	1	
56034B	Bushing, C-3/A4LD/4R44E/4R55E/5R55E Bell Housing / Pump (Bronze)	1	

FORD



# C-3 / A4LD / 4R44E / 4R55E / 5R55E

RWD 3-5 Speed

56036A	Bushing, C-3/A4LD/4R44E/4R55E/5R55E Stator (Front) W/Spiral ID Groove (Bronze) & Overdrive Sun Gear	1-2	
56036B	Bushing, A4LD/4R44E/4R55E/5R55E Stator (Front) W/Grooves On ID & OD (Bronze)	1	
56037	Bushing, C-3/A4LD/4R44E/4R55E/5R55E Stator (Rear)	1	
56040	Use 56036A	1	
56046	Bushing, C-3/A4LD Direct & Overdrive Clutch Drum (Cast Iron Drums)	1	
56046B	Bushing, C-3/A4LD/4R44E/4R55E Direct & Overdrive Drum	2	
56052	Bushing, C-3/A4LD/4R44E Sun Gear	2	74DT-7D065-AA
56061	Bushing, C-3/A4LD/4R44E/4R55E Reverse Drum	1	
56061G	Caged Needle Bearing, 5R55E Reverse Drum 1997-Up (Use 56261)	1	
56062	Bushing, A4LD Output Shaft Pilot 1985-89	1	
56062A	Bearing, A4LD/4R44E/4R55E/5R55E Output Shaft Pilot 1990-Up (Use 56268)	1	
56064	Bushing, C-3/A4LD/4R44E/4R55E Case	1	
56064G	Use 16264A	1	
56066	Bushing, C-3/A4LD/4R44E/4R55E/5R55E Extension Housing (Babbitt)	1	D7FZ-7A034-A

PART #	METAL CLAD SEALS	QTY.	REFERENCE #
56070A	Seal, C-3/A4LD/4R44E/4R55E Front (W/Flange) 1985-Up (Viton, Deep Lip) Black Rubber (National)	1	E5TZ-7A248-A
56070B	Seal, C-3/A4LD/4R44E/4R55E/5R55E Front (No Flange) 1997-Up (Rubber Coated)	1	F77Z-7A248-AA
56070C	Seal, C-3/A4LD/4R44E/4R55E Front (W/Flange) 1997-Up (Viton, Deep Lip) Viton On OD Of Seal (Stellar)	1	
36072	Seal, C-3/A4LD/4R44E/4R55E/5R55E Linkage 1974-Up	1	D5AZ-7B498-A
56074	Seal, C-3/A4LD/4R44E/4R55E/5R55E Rear (W/Out Boot) 1974-Up	1	D5ZZ-7052-A
56074B	Seal, C-3/A4LD/4R44E/4R55E/5R55E Rear (With Boot) 1974-Up	1	E2ZZ-7052-A

PART #	FRICITION CLUTCH	QTY.	REFERENCE #
56100	Friction, A4LD Overdrive Clutch (.078") 1985-89	2-3	E5TZ-7B164-A
56100A	Friction, A4LD/4R44E/4R55E Overdrive Clutch (.069") 1990-Up	3	F0TZ-7B164-C
56100B	Friction, 4R44E/4R55E/5R55E Overdrive Clutch (.069") (W/Directional Grooves) 1997-Up	3	F7ZZ-7B164-CA
56106	Friction, C-3/A4LD Direct Clutch (.075") 1974-89	4-5	E3ZZ-7B164-B
56106A	Friction, A4LD/4R44E/4R55E Direct Clutch (.069") 1990-Up	6	F0TZ-7B164-B
56106B	Friction, 4R44E/4R55E/5R55E Direct Clutch (.069") (W/Directional Grooves) 1997-Up	6	F7ZZ-7B164-BA
56106PPK	Friction/Steel Kit, C-3/A4LD Direct Clutch (.075") (Hi Performance) 1974-89	1	
56108	Friction, C-3/A4LD Forward Clutch (.075") 1974-89	3-5	E3ZZ-7B164-A
56108A	Friction, A4LD/4R44E/4R55E Forward Clutch (.069") 1990-Up	6	F0TZ-7B164-A
56108B	Friction, 4R44E/4R55E/5R55E Forward Clutch (.069") (W/Directional Grooves) 1997-Up	6	F7ZZ-7B164-AA
56119E	Friction Module, A4LD 1985-89	1	
56119G	Friction Module, A4LD/4R44E/4R55E 1990-96	1	
56119H	Friction Module, 4R44E/4R55E/5R55E 1997-Up	1	

PART #	STEEL CLUTCH	QTY.	REFERENCE #
56120	Steel, C-3/5R55E Direct Clutch (.081") 1974-Up	4-6	D4ZZ-7B442-B
56120A	Steel, A4LD Direct & Overdrive Clutch (.068") 1985-89	7-8	D8ZZ-7B442-B
56120B	Steel, A4LD/4R44E/4R55E/5R55E Direct & Overdrive Clutch (.065") 1990-Up	3-9	F0TZ-7B442-B
56120X	Steel, C-3/A4LD Direct Clutch (.098") (Oversized)	AR	
56128	Steel, C-3 Forward Clutch (.078") 1974-78	3-5	D4ZZ-7B442-A
56128A	Steel, C-3/A4LD Forward Clutch (.068") 1978-89	3-5	D8ZZ-7B442-A
56128C	Steel, A4LD/4R44E/4R55E/5R55E Forward Clutch (.065") 1990-Up	5-6	F0TZ-7B442-A
56128X	Steel, C-3/A4LD Forward Clutch (.098") (Oversized)	AR	
56139	Steel Module, C-3 1974-E78	1	
56139A	Steel Module, C-3 L1978-87	1	
56139E	Steel Module, A4LD 1985-89	1	
56139G	Steel Module, A4LD/4R44E/4R55E 1990-Up	1	
56139H	Steel, Module, 5R55E 1997-Up	1	

PART #	CLUTCH PRESSURE PLATES	QTY.	REFERENCE #
56140	Pressure Plate, C-3/A4LD Direct & Overdrive Clutch (.218") 1974-89	1-2	D4ZZ-7B066-B
56140B	Pressure Plate, A4LD/4R44E/4R55E/5R55E Direct & Overdrive Clutch (.200") 1990-Up	1-2	F0TZ-7B066-B
56148	Pressure Plate, C-3/A4LD Forward Clutch 1974-89	1	D4ZZ-7B066-A
56148D	Pressure Plate, A4LD/4R44E/4R55E/5R55E Forward Clutch 1990-Up	1	F0TZ-7B066-A

FORD



# C-3 / A4LD / 4R44E / 4R55E / 5R55E

RWD 3-5 Speed

PART #	MODULATORS	QTY.	REFERENCE #
56160	Modulator, C-3 No Stripe (Single Line) 1974-80	1	D6ZZ-7A377-A
56160A	Modulator, C-3 Black Stripe (Single Line) 4 Cylinder 1981-87	1	E1ZZ-7A377-B
56160B	Modulator, C-3 Green Stripe (Single Line) 6 Cylinder 1980-87	1	E1SZ-7A377-B
56160D	Modulator, C-3 No Stripe (Dual Line) 1974-76	1	
56160E	Modulator, A4LD No Stripe (Single Line) 1985-94	1	E5TZ-7A377-B
56160EA	Modulator, A4LD No Stripe (Single Line) With Modojust Dial 1985-92	1	E5TZ-7A377-B
56160T	Modulator, A4LD No Stripe (Single Line) With Turbo	1	EASZ-7A377-A
56163	Valve, C-3/A4LD Under Modulator	1	
56164	Pin, C-3/A4LD Modulator	1	

PART #	VALVE BODY KITS	QTY.	REFERENCE #
T56165	Shift Kit, C-3 1974-Up	1	SK® C3
S56165E	Valve Body Kit, A4LD	1	KA4LD
S56165EK	Valve Body Kit, A4LD W/Boost Valve & Sleeve	1	KA4LD-V
S56165H	Valve Body Kit, 4R44E/4R55E/5R55E 1994-2001	1	K4R/5R55E
T56165H	Shift Kit, 4R44E/4R55E/5R55E 1994-2001	1	SK® 44-55E
T56167E	Shift Kit, A4LD Junior 1985-94	1	SK® A4LD-Jr

PART #	OIL SEALING RINGS	QTY.	REFERENCE #
56175	Ring Kit, C-3 1974-87	1	
56175E	Ring Kit, A4LD/4R44E/4R55E (W/Metal Governor Rings) 1985-94	1	
56175G	Ring Kit, A4LD/4R44E/4R55E (W/Viton Governor Rings) 1985-Up	1	
56175L	Ring Kit, 4R44E/4R55E/5R55E (Combo) 1995-Up	1	
56178AT	Ring, A4LD/4R44E/4R55E Stator (Front, Solid) (Torlon)	1	3L2Z-7L323-AA
56179	Ring, C-3 Direct Drum (2.354"OD) (Metal) 1974-87	2	D4ZZ-7D025-A
56179L	Ring, 5R55E Overdrive & Direct Drum (Vespel) 1997-Up	2-4	
56179T	Ring, A4LD/4R44E/4R55E Overdrive & Direct Drum (2.354"OD) (Teflon) 1985-Up	2-4	E5TZ-7D025-A
56179V	Ring, A4LD Direct Drum (2.354"OD) (Viton) 1985-92	2	E5TZ-7D0429-A
56179VL	Ring, A4LD/4R44E/4R55E Direct Drum (2.354"OD) (Viton) 1993-Up	2	F3TZ-7D429-A
56181	Ring, C-3/A4LD/4R44E/4R55E Forward Drum (1.496"OD) (Metal)	2	D4ZZ-7D019-A
56181T	Ring, C-3/A4LD/4R44E/4R55E Forward Drum (1.496"OD) (Teflon)	2	
56181LT	Ring, 5R55E Forward Clutch (1.576"OD) (Peek) 1997-Up	2	F7TZ-M154-CA
56189	Ring, C-3 Governor (2.340"OD) (Metal) 1974-87	3	F0TZ-7D011-A
56189A	Ring, A4LD Governor (2.340"OD) (Cast Iron Plated)	3	
56189V	Ring, A4LD/4R44E/4R55E Governor (2.340"OD) (Viton) (Lathe Cut)	3	E7TZ-7D011-A

PART #	WASHERS & BEARINGS	QTY.	REFERENCE #
56200	Washer Kit, C-3 1974-87	1	
56200D	Washer Kit, A4LD 1985-89 (Contains 8 Metal Washers)	1	
56200E	Washer Kit, A4LD 1985-90	1	
56200EA	Washer Kit, A4LD/4R44E/4R55E 1991-95	1	
56210K	Shim Kit, C-3/A4LD/4R44E/4R55E Pump / Center Support Washer	1	
56211A	Washer, C-3/A4LD Pump / Center Support (.047") Metal	1	F0TZ-7D014-M
56211AA	Washer, C-3/A4LD Pump / Center Support (.047") Plastic	1	
56211B	Washer, C-3/A4LD Pump / Center Support (.055") Metal	1	F0TZ-7D014-A
56211BA	Washer, C-3/A4LD Pump / Center Support (.055") Plastic	1	F7TZ-7D014-VA
56211C	Washer, C-3/A4LD Pump / Center Support (.063") Metal	1	F0TZ-7D014-B
56211CA	Washer, C-3/A4LD/4R44E/4R55E Pump / Center Support (.063") Plastic	1	F7TZ-7D014-TA
56211D	Washer, C-3/A4LD Pump / Center Support (.067") Metal	1	F0TZ-7D014-C
56211DA	Washer, C-3/A4LD/4R44E/4R55E Pump / Center Support (.067") Plastic	1	
56211E	Washer, C-3/A4LD Pump / Center Support (.071") Metal	1	F0TZ-7D014-D
56211EA	Washer, C-3/A4LD/4R44E/4R55E Pump / Center Support (.071") Plastic	1	F7TZ-7D014-MA
56211G	Washer, C-3/A4LD Pump / Center Support (.075") Metal	1	F0TZ-7D014-E
56211GA	Washer, C-3/A4LD/4R44E/4R55E Pump / Center Support (.075") Plastic	1	F7TZ-7D014-NA
56211H	Washer, C-3/A4LD Pump / Center Support (.079") Metal	1	F0TZ-7D014-F
56211HA	Washer, C-3/A4LD/4R44E/4R55E Pump / Center Support (.079") Plastic	1	F7TZ-7D014-PA
56211J	Washer, C-3/A4LD Pump / Center Support (.083") Metal	1	F0TZ-7D014-G
56211JA	Washer, C-3/A4LD/4R44E/4R55E Pump / Center Support (.083") Plastic	1	F7TZ-7D014-RA
56211K	Washer, C-3/A4LD Pump / Center Support (.087") Metal	1	F0TZ-7D014-H
56211KA	Washer, C-3/A4LD/4R44E/4R55E Pump / Center Support (.087") Plastic	1	F7TZ-7D014-SA
56211L	Washer, C-3/A4LD Pump / Center Support (.094") Metal	1	F0TZ-7D014-J
56211LA	Washer, C-3/A4LD/4R44E/4R55E Pump / Center Support (.094") Plastic	1	
56211M	Washer, C-3/A4LD Pump / Center Support (.102") Metal	1	F0TZ-7D014-K
56211MA	Washer, C-3/A4LD/4R44E/4R55E Pump / Center Support (.102") Plastic	1	
56211N	Washer, C-3/A4LD Pump / Center Support (.110") Metal	1	F0TZ-7D014-L

FORD



# C-3 / A4LD / 4R44E / 4R55E / 5R55E

RWD 3-5 Speed

56211NA	Washer, C-3/A4LD/4R44E/4R55E Pump / Center Support (.110") Plastic	1	
56211P	Bearing W/Races, 4R44E/4R55E Center Support (.105") Rear 1995-96 (2.382"ID)		
	Also Fits A4LD/4R44E/4R55E Center Support (Front) 1993-96	1-2	F3TZ-7L326-A
56211PA	Bearing W/Races, 4R44E/4R55E Center Support (.115") Rear 1995-96 (2.382"ID)	1	F5TZ-7L326-A
56211PB	Bearing W/Races, 4R44E/4R55E Center Support (.122") Rear 1995-96 (2.382"ID)	1	F5TZ-7L326-B
56211PC	Bearing W/Races, 4R44E/4R55E Center Support (.129") Rear 1995-96 (2.382"ID)	1	F5TZ-7L326-C
56211R	Bearing W/Races, 5R55E Pump / Center Support (Rear) (.110") 1997-Up (2.450"ID)	1	F77Z-7D014-GA
56211RA	Bearing W/Races, 5R55E Pump / Center Support (Rear) (.116") 1997-Up (2.450"ID)	1	F77Z-7D014-HA
56211RB	Bearing W/Races, 5R55E Pump / Center Support (Rear) (.124") 1997-Up (2.450"ID)	1	F77Z-7D014-KA
56211RC	Bearing W/Races, 5R55E Pump / Center Support (Rear) (.131") 1997-Up (2.450"ID)	1	F77Z-7D014-LA
56214	Washer, A4LD/4R44E/4R55E/5R55E Overdrive Sun Gear Drive "Star Washer"	1	E5TZ-7660-A
56216	Race, A4LD/4R44E/4R55E Overdrive Planet To Overdrive Sun Gear (Front) 1985-96	1	E5TZ-7D235-B
56216B	Bearing W/Races, 4R44E/4R55E/5R55E Overdrive Planet To Overdrive Sun Gear (Stays In Planet) 1997-Up	1	
56217	Bearing, A4LD/4R44E/4R55E/5R55E Between Overdrive Planet & Overdrive Ring Gear Hub	1	E5TZ-7L495-A
56218A	Needle Bearing, A4LD/4R44E/4R55E Fits On Nose Of Overdrive Planet	1	
56220	Washer, A4LD Overdrive Planet To Sprag (Retainer) 1985-92	1	E7TZ-7L339-A
56223	Washer, A4LD Center Support (Front) (2 Inner Tabs) 1985-92	1	E5TZ-7L326-A
56223A	Bearing W/Races, 4R44E/4R55E Center Support (Front) 1993-96 (Use 56211P)	1	
56223B	Bearing W/Races, 4R44E/4R55E/5R55E Center Support (Front) 1997-Up (Also Fits 5R55E Forward Drum To Direct Drum 1997-Up) (Also Fits 4R44E/4R55E/5R55E/5R55N/5R55W Rear Planet To Hub 1997-Up)	1-3	F7TZ-7M153-EB
56226	Bearing W/Race, A4LD/4R44E/4R55E Center Support To Forward Drum (.157") (1 Notch) 1993-95	1	F3TZ-7C096-A
56226A	Bearing W/Race, A4LD/4R44E/4R55E Center Support To Forward Drum (.149") (2 Notch) 1993-95	1	F3TZ-7C096-B
56226AA	Bearing W/Race, A4LD/4R44E/4R55E Center Support To Forward Drum (.143") (3 Notch) 1993-95	1	F3TZ-7C096-C
56226AB	Bearing W/Race, A4LD/4R44E/4R55E Center Support To Forward Drum (.135") (4 Notch) 1993-95	1	F3TZ-7C096-D
56229	Washer, C-3/A4LD/4R44E/4R55E Direct Drum To Forward Drum (Metal)	1	E5TZ-7C096-A
56229AA	Washer, C-3/A4LD Direct Drum To Forward Drum (Plastic) (Cast Iron Direct Drums Only)	1	D4ZZ-7C096-A
56229G	Bearing W/Races, 5R55E Forward Drum To Direct Drum 1997-Up (Use 56223B)	1	
56231	Washer, C-3/A4LD Between Forward Drum & Hub (4 Inner Tabs) (Brass) 1974-89	1	D4ZZ-7D090-B
56232	Washer, C-3/A4LD Between Forward Drum & Hub (3 Outer Tabs) 1974-89	1	D4ZZ-7D090-A
56232A	Washer (Integral), A4LD Between Forward Drum & Hub (No Tangs) (Cup Type)	1	
56232B	Washer (Integral), A4LD Between Forward Drum & Hub (With Tangs) (Cup Type)	1	F0TZ-7D236-A
56232C	Washer, A4LD/4R44E/4R55E/5R55E Bearing To Planet (.350" Thick) 3rd Design (Solid Bronze)	1	F0TZ-7D090-A
56232D	Bearing W/Races, A4LD/4R44E/4R55E/5R55E Forward Drum To Planet (Used W/56232C) (Bearing & Races Snap Together As 1 Piece)	1	F3TZ-7D234-A
56232DAK	Bearing W/Race Set, A4LD/4R44E/4R55E/5R55E Forward Drum To Planet (Used W/56232C) (Bearing & Races Come Apart As A 3 Piece Set)	1	
56235	Washer, C-3/A4LD Forward Planet To Hub (Use 56244)	1	
56235A	Bearing W/Race, A4LD/4R44E/4R55E/5R55E Between Forward Planet & Hub	1	E8TZ-7F374-A
56239	Race, C-3/A4LD Forward Planet To Sun Gear	1	E5TZ-7D235-A
56243	Race, C-3/A4LD/4R44E/4R55E Between Sun Shell & Rear Planet Washer 1985-96	1	D4ZZ-7D066-A
56244	Washer, C-3/A4LD Rear Planet To Shell (2 3/4"OD) (6 Outer Tabs) 1974-E89 (Also Fits Forward Planet To Hub) (Also Fits Rear Planet To Hub)	1-3	D4AZZ-7A166-A
56244B	Washer, A4LD/4R44E/4R55E Rear Planet To Shell (3 Outer Tabs) L1989-96	1	F0TZ-7A166-B
56244G	Bearing W/Races, 4R44E/4R55E/5R55E Rear Planet To Shell 1997-Up	1	F7ZZ-7M151-BA
56251	Washer, A4LD/4R44E/4R55E Rear Planet To Hub (2 3/4"OD) (6 Outer Tabs) 1985-E89 (Use 56244)	1	D4AZZ-7A166-A
56251A	Washer, A4LD/4R44E/4R55E Rear Planet To Hub (3"OD) (6 Outer Tabs) L1989-96	1	F0TZ-7A166-A
56251G	Bearing W/Races, 4R44E/4R55E/5R55E Rear Planet To Hub 1997-Up (Use 56223B)	1	
56254A	Washer, C-3/A4LD Between Rear Hub & Sprag Race (2 1/4"OD) Metal 1974-E89	1	F0TZ-7DA22-A
56254B	Washer, A4LD/4R44E/4R55E Between Rear Hub & Sprag Race (3 3/16"OD) Bronze L1989-96	1	F0TZ-7D422-A
56254C	Race, 4R44E/4R55E/5R55E Rear Hub To Sprag Race (Steel) Snaps On The Rear Hub (W/Bronze Inner Ring) 1997-Up	1	F7ZZ-7M150-DA
56254CA	Bearing, 4R44E/4R55E/5R55E Rear Hub Race To Sprag Race (This Goes W/56254C) 1997-Up	1	F7ZZ-7M150-CA
56257	Washer, A4LD/4R44E/4R55E/5R55E Rear Case Thrust (4.0L) L1989-Up	1	
S56257K	Washer & End Cap Kit, A4LD Rear Sprag Inner Race Washer & 2 Sprag End Caps (4.0L) Sonnax	1	56250-01K
56261G	Caged Needle Bearing, 5R55E Reverse Drum 1997-Up	1	
56263	Washer, C-3/A4LD/4R44E/4R55E/5R55E Between Governor Support & Case	1	D4ZZ-7B368-A
56264G	Use 16264A	1	
16264A	Caged Needle Bearing, 5R55E Case To Output Shaft (# F-222722)	1	F77Z-7R205-AA
56268	Bearing, A4LD/4R44E/4R55E/5R55E Output Shaft Pilot	1	

FORD





# C-3 / A4LD / 4R44E / 4R55E / 5R55E

RWD 3-5 Speed

FORD

PART #	GASKETS & RUBBER COMPONENTS	QTY.	REFERENCE #
56300	Gasket, C-3 Bottom Pan	1	D5ZZ-7A191-B
56300E	Gasket, A4LD/4R44E/4R55E/5R55E Bottom Pan	1	E5TZ-7A191-A
56305	Gasket, C-3/A4LD/4R44E/4R55E/5R55E Extension Housing	1	D4ZZ-7086-B
56307	Gasket, C-3/A4LD/4R44E/4R55E/5R55E Reverse Servo Cover	1	D4ZZ-7L173-A
56309	Washer, C-3/A4LD Pump Bolt 1974-94	8	E830124-S
56309E	O-Ring, A4LD/4R44E/4R55E/5R55E Pump Bolt 1995-Up	8	E804595-S200
56310	Gasket, C-3/A4LD/4R44E/4R55E Pump	1	F5TZ-7A136-A
56311	O-Ring, C-3/A4LD/4R44E/4R55E Pump	1	D5ZZ-78A248-A
56313A	O-Ring, A4LD/4R44E/4R55E/5R55E Inner Pump Gear	1	W701431-S300
56320	Gasket, C-3 Valve Body (Upper)	1	D4ZZ-7D100-B
56320A	Gasket, A4LD Valve Body (Upper)	1	E8TZ-7C155-A
56320AA	Gasket, A4LD Valve Body (Upper) (.015" Thick) (Oversize)	1	
56320H	Gasket, 4R44E/4R55E/5R55E Valve Body (Upper) 1995-Up	1	
56321	Gasket, C-3 Valve Body (Lower)	1	D4ZZ-7D100-A
56321AA	Gasket, A4LD Valve Body (Lower)	1	E8TZ-7D100-A
56321AB	Gasket, A4LD Valve Body (Lower) (.015" Thick) (Oversize)	1	
56321H	Gasket, 4R44E/4R55E/5R55E Valve Body (Lower) 1995-Up	1	
56326	Gasket, C-3 Filter	1	D5ZZ-7E062-A
56334	Lathe Cut Seal, C-3/A4LD/4R44E/4R55E/5R55E Forward Clutch (Inner)	1	D4ZZ-7A548-B
56335	Lathe Cut Seal, C-3/A4LD/4R44E/4R55E/5R55E Forward Clutch (Outer)	1	D4ZZ-7A548-A
56335A	Lip Seal, A4LD/4R44E/4R55E/5R55E Forward Clutch (Outer) 1990-Up	1	
56336	Lathe Cut Seal, C-3/A4LD Direct Clutch (Inner) 1974-87 And Overdrive Clutch (Inner) 1985-87	2	D7ZZ-7D404-A
56336A	Lip Seal, A4LD/4R44E/4R55E/5R55E Direct & Overdrive Clutch (Inner) 1988-Up	2	E8TZ-7D404-A
56337	Lathe Cut Seal, A4LD Direct & Overdrive Clutch (Outer) 1985-87	2	D7ZZ-7A548-A
56337A	Lip Seal, A4LD Direct Clutch (Outer) 1987-89 (Also Fits 4R44E/4R55E/5R55E Direct Clutch (Outer) 1995-05) (Also A4LD/4R44E/4R55E Overdrive Clutch (Outer) 1988-96)	2	E8TZ-7A548-A
56337AA	Lip Seal, A4LD Direct Clutch (Outer) 1990-96	1	
56337B	Lip Seal, A4LD/4R44E/4R55E Overdrive Clutch (Outer) 1997-05	1	F7TZ-7A548-AA
36349	O-Ring, C-3/A4LD Throttle Shaft (No Lobes)	1	
36349A	O-Ring, C-3/A4LD Throttle Shaft (With 4 Lobes)	1	
56362	Lathe Cut Seal, C-3 Intermediate Servo Cover 1974-78 and A4LD Intermediate & Overdrive Servo Cover 1985	1-2	D4ZZ-7D040-A
56362A	O-Ring, A4LD/4R44E/4R55E/5R55E Intermediate & Overdrive Servo 1986-Up	2	E6TZ-7D040-A
56363A	O-Ring, C-3/A4LD/4R44E/4R55E/5R55E Reverse Servo Seal (Small)	1	D4ZZ-7423-B
56363C	O-Ring, C-3/A4LD/4R44E/4R55E/5R55E Reverse Servo Seal (Large)	1	D4ZZ-7423-A
56363D	O-Ring, A4LD/4R44E/4R55E/5R55E Reverse Servo (Large) Double Lip (Updated)	1	
44371A	O-Ring, C-3/A4LD/4R44E/4R55E/5R55E Filler Tube	1	6264902
76377	O-Ring, C-3/A4LD Neutral Safety Switch 1977-95	1	87009-S100
56379	O-Ring, A4LD Filter (Small) 1985 Only	1	E5TZ-7A469-B
56379A	O-Ring, A4LD/4R44E/4R55E/5R55E Filter O-Ring (Small) 1986-Up	1	E6TZ-7A469-B
56379L	O-Ring, A4LD Filter (Large) 1985 Only	1	E5TZ-7A469-A
56379LA	O-Ring, A4LD/4R44E/4R55E/5R55E Filter O-Ring (Large) 1986-Up	1	E6TZ-7A469-A
26385	Hockey Puck, C-3 Intermediate Accumulator Check Valve Seal (Rubber) 1964-86	1	
56385	Orifice Puck, A4LD/4R44E/4R55E/4R55E/5R55E Intermediate Accumulator Check Valve Seal (White Plastic) 1985-Up	1	
56390	External Seal Kit, C-3 (W/Pan Gasket) 1974-Up	1	
56390E	External Seal Kit, A4LD/4R44E/4R55E (With Pan Gasket) 1985-96	1	
56390H	External Seal Kit, 4R44E/4R55E/5R55E (With Pan Gasket) 1997-Up	1	

PART #	TECHNICAL MANUALS	QTY.	REFERENCE #
56400E	Technical Manual, A4LD	1	83-A4LDTM
56400R	Technical Manual, 4R44E/4R55E (Electric) 1995-Up	1	4R44E,4R55E
56400S	Technical Manual, 5R55E (5 Speed) 1997-Up	1	5R55E

PART #	ELECTRICAL COMPONENTS	QTY.	REFERENCE #
56410	Switch, A4LD Neutral Safety (5 Pin) 1985-95	1	E6TZ-7A247-A
56410A	Switch, C-3/A4LD Neutral Safety (4 Pin) 1977-95	1	D6RY-7A247-B
76410E	Switch, 4R44E/4R55E/5R55E Neutral Safety (8 Pin) 1992-97	1	F5AZ-7A247-AA
76410EA	Switch, 4R44E/4R55E/5R55E Neutral Safety (11 or 12 Pin) 1997-Up	1	F7LZ-7F293-AA
56420K	Solenoid Kit, A4LD (1 Lock-Up & 1 3-4 Shift Solenoid & 1 3 Prong Connector) 1989-95	1	52-9005
T56420K	Solenoid Kit, A4LD (1 Lock-Up & 1 3-4 Shift Solenoid) 1985-95 (Teckpak)	1	MS-A4LD
56420AK	Solenoid Kit, A4LD (1 Lock-Up & 1 Two Prong Connector) 1985-88 (Rostra) (Fits The 1 Solenoid Valve Body)	1	52-9006
56421	Solenoid, 4R44E/4R55E/5R55E Shift 1995-Up	1-4	F7TZ-7F293-AA



# C-3 / A4LD / 4R44E / 4R55E / 5R55E

RWD 3-5 Speed

56423	Solenoid, A4LD 3-4 Shift (Except Aerostar) 1985-Up	1	E8TZ-7M107A
T56423	Solenoid, A4LD 3-4 Shift (All) 1985-Up	1	
56423A	Solenoid, A4LD 3-4 Shift (Aerostar) 1987-Up	1	E7SZ-7F037A
56425	Solenoid, A4LD TCC 1985-95	1	E5TZ-7F037-A
56425A	Solenoid, 4R44E TCC (Snout Is .810" Long)(.095"ID Hole) 1995-96	1	F5TZ-7F037-AA
56425B	Solenoid, 4R44E/4R55E/5R55E TCC (Snout Is .900" Long)(.160"ID Hole) 1997-Up	1	F77Z-7G136-AA
56431	Solenoid, 4R44E/4R55E EPC (Green Screen) 1995-96	1	F5TZ-7H144-A
56431A	Solenoid, 4R44E/4R55E/5R55E EPC (Red Screen) 1997-Up	1	XL2Z-7G383-AA
56436H	Sensor, 4R44E/4R55E/5R55E Output Speed 1997-Up (In Rear Of Case)	1	F7RZ-7H103-AA
56438H	Sensor, 4R44E/4R55E/5R55E Input Speed 1995-Up (Under Center Support)	1	F5TZ-7M101-A
56439H	Sensor, 5R55E Overdrive Drum (Front Case)	1	XW4Z-7M183-AA
56444	Connector, A4LD Case (2 Prong) Fits 1 Switch Valve Body 1985-88	1	E5TZ-7E449-A
56444A	Connector, A4LD Case (3 Prong) Fits 2 Switch Valve Body 1989-95	1	E7TZ-7E449-A
56446E	Wire Harness, 4R44E/4R55E/5R55E Internal (16 Prong Connector)(With Fluid Temperature Built Into The Connector) 1995-Up	1	F5TZ-7Z409-B
86445ECK	Repair Kit, AXOD/AXODE/AX4N Speed Sensor Wire Harness Connector (Fits 36438, 36774D, 86774B, 86774C, 86774H, F85Z-2L373AB)	1	
F85Z-2L373AB	Speed Sensor, Rear Axle Housing (Output Speed) 1990-97 Aerostar, 1990 Bronco II, 1990-06 E-150/250/350, 1990-03 F-150, 1991-01 Expedition/Mountaineer, 1990-99 F250, 1999-04 SD F250-F450, 2000-06 Excursion, 1990-03 Ranger, 2000-01 Sporttrac, 1997-02 Expedition	1	

PART #	MISC. COMPONENTS	QTY.	REFERENCE #
26487	Grommet, C-3/A4LD/4R44E/4R55E/5R55E Shift Linkage Grommet (5/16"ID)	1	D5AZ-7341-A
26487B	Grommet, C3/A4LD/4R44E/4R55E/5R55E Passing Gear (Narrow Groove) Green	1	
26487BA	Grommet, C3/A4LD/4R44E/4R55E/5R55E Passing Gear (Wide Groove) Black	1	
26487BW	Grommet, C3/A4LD/4R44E/4R55E/5R55E Passing Gear (Narrow Groove) (Yellow Or Black)	1	
26487C	E-Clip, C-3/A4LD Linkage	1	

PART #	HARDPARTS	QTY.	REFERENCE #
56520	Stator, C-3 W/Gears 1974-87	1	D6ZZ-7A103-A
56520A	Stator, A4LD W/Gears (Hex Head Bolts) 1985-87	1	E5TZ-7A103-A
56520B	Stator, A4LD W/Gears (Allen Head Bolts) (Rear Bushing Is Recessed 1/2" Down From Rear Of Stator) 1988-94 (Can Use 56520BA)	1	F0TZ-7A103-A
56520BA	Stator, A4LD W/Gears (Allen Head Bolts) (Rear Bushing Is At The Rear Of The Stator) 1992-94 (Can Use 56520B)	1	
56520D	Stator, 4R44E/4R55E W/Gears (6 Bolt Electronic) 1995-Up	1	F5TZ-7A103-B
56520G	Stator, 5R55E W/Gears (24 Teeth Inner Gear) W/Outer Caged Bearing 1997-Up	1	F77Z-7A103-CA
56520GA	Stator, 5R55E W/Gears (16 Teeth Inner Gear) W/Outer Caged Bearing	1	XL2Z-7A103-AA
T-16520A	Pump Alignment Tool, A4LD/4R44E/4R55E/5R55E (This Is Made Special For Us)	1	
56530	Pump Gears, C-3/A4LD/4R44E/4R55E 1974-94	1	4DT-7L201
56530AX	Pump Gears, C-3/A4LD/4R44E/4R55E (Oversized) 1974-Up (3.710"OD x .511" Thick)	1	
56530AAX	Pump Gears, C-3/A4LD/4R44E/4R55E (Oversized) 1974-Up (3.714"OD x .514" Thick)	1	
56530E	Pump Gears, 4R44E/4R55E/5R55E (W/Inner O-Ring) 1995-Up (24T On Inner Gear)	1	
56530EX	Pump Gears, 4R44E/4R55E/5R55E (With Inner O-Ring) (Oversize) 1995-Up	1	
56530G	Pump Gears, 5R55E (16 Teeth Inner Gear, With O-Ring)	1	
56544	Plate, C-3 Pump 1974-87	1	E5TZ-7B472-B
56544A	Plate, A4LD Pump (Uses Hex Head Pump Bolts) 1985-87	1	E5TZ-7B472-B
56544B	Plate, A4LD Pump (Uses Allen Head Pump bolts) 1988-Up	1	F0TZ-7B472-B
56544D	Plate, 4R44E/4R55E/5R55E Pump (6 Bolt Electric) 1995-Up	1	F5TZ-7B472-A
56550A	Drum, A4LD Overdrive (3 Clutch) 1985-E89	1	E9TZ-7L669-A
56550AA	Drum, A4LD Overdrive (2 Clutch) 1985-E89	1	D4ZZ-7A248-A
56550B	Drum, A4LD/4R55E Overdrive (3 Clutch) L1989-94	1	F0TZ-7L669-A
56550BA	Drum, A4LD/4R44E Overdrive (2 Clutch) 1995-96	1	
56550C	Drum, 5R55E Overdrive (2 Clutch) 1997-Up	1	
56554	Drum, C-3 Forward Clutch (4 Clutch) 1974-77	1	D5ZZ-7A360-A
56554A	Drum, C-3 Forward Clutch (5 Clutch) 1978-87	1	D8ZZ-7A360-A
56554B	Drum, A4LD Forward Clutch (4 Clutch) 1985-89	1	F0TZ-7A360-A
56554BA	Drum, A4LD Forward Clutch (5 Clutch) 1985-89	1	E5TZ-7A360-A
56554BB	Drum, A4LD Forward Clutch (4 Clutch) Uses Washer #229 (No Bearing #226) 1990-Up	1	F0TZ-7A360-A
56554BC	Drum, A4LD Forward Clutch (4 Clutch) Uses Washer #229 And Bearing #226 1990-Up	1	
56554BD	Drum, A4LD Forward Clutch (6 Clutch) Uses Washer #229 (No Bearing #226) 1990-Up	1	
56554C	Drum, A4LD/4R44E Forward Clutch (5 Clutch) (Uses Bearing #226) 1991-Up (Can Use 56554D If Customer Has 1 Extra Friction & Steel)	1	
56554D	Drum, A4LD/4R55E Forward Clutch (6 Clutch) (4.0L) Uses A Bearing #226 1991-Up	1	F0TZ-7D044-A
56554E	Drum, 5R55E Forward Clutch (4 Clutch) With Caged Outer Bearings Between Rings 1997-Up	1	

FORD



# C-3 / A4LD / 4R44E / 4R55E / 5R55E

RWD 3-5 Speed

PART #	HARDPARTS (Continued)	QTY.	REFERENCE #
56554EA.....	Drum, 5R55E Forward Clutch (5 Clutch) With Caged Outer Bearings Between Rings 1997-Up .....	1	
56554EB.....	Drum, 5R55E Forward Clutch (6 Clutch) With Caged Outer Bearings Between Rings 1997-Up .....	1	
56555.....	Drum, C-3 Direct Clutch (4 Cylinder) 1974-77 .....	1	
56555A.....	Drum, C-3 Direct Clutch (V-6) 1975-77 .....	1	D5FZ-7D044-A
56555B.....	Drum, C-3 Direct Clutch 1978-87.....	1	D8ZZ-7D044-C
56555C.....	Drum, A4LD Direct Clutch (4 Clutch) (Steel) 1985-E89 .....	1	E5TZ-7D044-F
56555D.....	Drum, A4LD Direct Clutch (5 Clutch) (Steel) 1985-E89 .....	1	E5TZ-7D044-E
56555E.....	Drum, A4LD Direct Clutch (4 Clutch) (Steel) L1989-Up .....	1	
56555EA.....	Drum, A4LD Direct Clutch (4 Clutch) (Steel) W/2 Square Slots For Shell Locking Lugs).....	1	
56555EK.....	Drum Kit, A4LD Direct Clutch (4 Clutch) (Steel) W/Clutch Pack (Retro Fit) L1989-Up.....	1	
56555G.....	Drum, A4LD Direct (5 Clutch) (Steel) L1989-Up .....	1	E5TZ-7D044-E
56555GA.....	Drum, A4LD Direct Clutch (5 Clutch) (Steel) W/2 Square Slots For Shell Locking Lugs .....	1	
56555H.....	Drum, A4LD Direct Clutch (3 Clutch) (Cast Iron) (.150" Thick Lugs) L1989-Up.....	1	
56555HA.....	Drum, A4LD Direct Clutch (3 Clutch) (Cast Iron) (.350" Thick Lugs) L1989-Up.....	1	F0TZ-7D044-A
56555J.....	Drum, A4LD Direct Clutch (5 Clutch) (Cast Iron) (.150" Thick Lugs) L1989-Up (Uses A 4 1/2"OD Piston With Cast # 90DT).....	1	F0TZ-7D044-C
56555JA.....	Drum, A4LD Direct Clutch (5 Clutch) (Cast Iron) (.350" Thick Lugs) L1989-Up (Uses A 4 1/2"OD Piston With Cast # 90DT).....	1	
56555K.....	Drum, A4LD/4R44E Direct Clutch (4 Clutch) (Cast Iron) (.150" Thick Lugs) L1989-Up.....	1	F0TZ-7D044-B
56555KA.....	Drum, A4LD/4R44E Direct Clutch (4 Clutch) (Cast Iron) (.350" Thick Lugs) L1989-Up.....	1	
56555L.....	Drum, A4LD/4R44E Direct Clutch (5 Clutch) (Cast Iron) (.150" Thick Lugs) 1991-Up (Uses A 4 1/4"OD Piston With Cast # 88DT).....	1	F0TZ-7D044-C
56555LA.....	Drum, A4LD/4R44E Direct Clutch (5 Clutch) (Cast Iron) (.350" Thick Lugs) 1991-Up (Uses A 4 1/4"OD Piston With Cast # 88DT).....	1	
56555M.....	Drum, A4LD/4R55E Direct Clutch (6 Clutch) (Cast Iron) (.150" Thick Lugs) L1989-Up.....	1	
56555MA.....	Drum, A4LD/4R55E Direct Clutch (6 Clutch) (Cast Iron) (.350" Thick Lugs) L1989-Up.....	1	F0TZ-7D044-C
56555N.....	Drum, 5R55E Direct Clutch (4 Clutch) (Cast Iron) 1997-Up (Uses A 4 1/4"OD Piston With Cast # 88DT).....	1	
56555NA.....	Drum, 5R55E Direct Clutch (5 Clutch) (Cast Iron) 1997-Up (Uses A 4 1/4"OD Piston With Cast # 88DT).....	1	
56555NB.....	Drum, 5R55E Direct Clutch (6 Clutch) (Cast Iron) 1997-Up (Uses A 4 1/4"OD Piston With Cast # 88DT).....	1	
56555NC.....	Drum, 5R55E Direct Clutch (4 Clutch) (Cast Iron) 1997-Up (Uses A 4 1/2"OD Piston With Cast # 90DT).....	1	
56555ND.....	Drum, 5R55E Direct Clutch (5 Clutch) (Cast Iron) 1997-Up (Uses A 4 1/2"OD Piston With Cast # 90DT).....	1	
56555NE.....	Drum, 5R55E Direct Clutch (6 Clutch) (Cast Iron) 1997-Up (Uses A 4 1/2"OD Piston With Cast # 90DT).....	1	
56556.....	Drum, C-3/A4LD/4R44E Reverse Band (Less Sprag) (Uses Roller Type Sprag) (10 Lugs).....	1	D4ZZ-7C498-A
56556A.....	Drum, A4LD/4R55E Reverse Band (4.0L) (W/Lug Type Sprag) (30 Lugs For Rear Planet).....	1	F0TZ-7C498-A
56556B.....	Drum, 5R55E Reverse Band W/Needle Bearing (W/16 Lug Sprag) (10 Lugs For Rear Planet).....	1	
56556BA.....	Drum, 5R55E Reverse Drum W/Needle Bearing (W/26 Lug Sprag) (10 Lugs For Rear Planet).....	1	
56560.....	Piston Kit, A4LD Overdrive Drum (Lathe Cut Seal Type)1985-87 (Cast # 74DT)(4 1/2"OD) (Also Fits A4LD/4R44E/4R55E/5R55E Direct Drum).....	1-2	
56560A.....	Piston Kit, A4LD/4R44E/4R55E Overdrive Drum (Lip Seal Type) 1988-Up (Cast # 88DT Or 74DT) (4 1/4"OD)(Also Fits A4LD/4R44E/4R55E/5R55E Direct Drum).....	1-2	
56560C.....	Piston Kit, 5R55E Overdrive Drum (Cast # 97GT) (4 7/8"OD) 1997-Up .....	1	
56564B.....	Piston Kit, C-3/A4LD/4R44E/4R55E/5R55E Forward Drum 1974-Up .....	1	D822-7A262-A
56565A.....	Piston Kit, C-3 Direct Drum .....	1	
56565C.....	Piston Kit, A4LD/4R44E/4R55E/5R55E Direct Drum (4 1/2"OD) (Use 56560) (Cast # 74DT).....	1	
56565CA.....	Piston Kit, A4LD/4R44E/4R55E/5R55E Direct Drum (4 1/4"OD) (Use 56560A).....	1	
56565D.....	Piston Kit, A4LD/4R44E/4R55E/5R55E Direct Drum (4 1/2"OD) (Cast # 90DT) .....	1	
56580.....	Planet, A4LD Overdrive (W/Out Reluctor Ring) W/Out Race # 216.....	1	F2TZ-7B446-B
56580A.....	Planet, A4LD/4R44E/4R55E Overdrive (With Reluctor Ring) W/Out Race # 216 (Does Not Have An Oil Baffle) (Can Use 56580B).....	1	F77Z-7B446-AA
56580B.....	Planet, 4R44E/4R55E Overdrive (With Reluctor Ring) With 1 Piece Bearing # 216 (With Oil Baffle) W/Solid Pins (Retro 56580A) (Can Use 56580BA).....	1	2L5Z-7B446-AA
56580BA.....	Planet, 5R55E Overdrive (W/Reluctor Ring) With 1 Piece Bearing # 216 (With Oil Baffle) W/Holes In Pinion Pins (Can Use 56580B).....	1	XL2Z-7B446-AB
56580HDA.....	Planet, A4LD Overdrive (W/Out Reluctor Ring) W/Out Race # 216 (With Hardened Housing).....	1	
56582.....	Planet, C-3/A4LD Forward (Aluminum) Uses A Thrust Washer # 232 1974-89.....	1	D4ZZ-7A398-A
56582K.....	Planet Kit, C-3/A4LD Forward Planet (Aluminum) Can Be Used In Any Forward Planet (Early Type) (Contains: # 232, 881, 231, 882, 602, 592, 235 & 582).....	1	
56582A.....	Planet, A4LD/44R44E Forward (Aluminum) Uses An Integral Washer # 232 1990-Up .....	1	
56582AK.....	Planet Kit, A4LD/4R44E Forward (Aluminum) With Integral Washer # 232 1990-Up (Contains: # 232, 881, 231, 602, 592, 235 & 582)(Can Use For All Planets).....	1	

FORD





# C-3 / A4LD / 4R44E / 4R55E / 5R55E

RWD 3-5 Speed

56582B	Planet, A4LD/4R44E Forward (Steel) (3 Gear) Uses An Integral Washer # 232 1990-Up	1	E7TZ-7A398-A
56582BK	Planet Kit, A4LD/4R44E Forward (Steel) (3 Gear) Can Use For All Planets (Contains: # 232, 881, 231, 882, 602, 592, 235 & 582)	1	
56582BA	Planet, A4LD/4R44E Forward (Steel) (3 Gear) Uses A .350" Thick Brass Washer # 232 1990-Up	1	
56582BAK	Planet Kit, A4LD/4R44E Forward (Steel) (3 Gear) Can Use For All Planets (Contains: # 232, 881, 231, 882, 602, 592, 235 & 582) Uses A .350" Thick Brass Washer # 232	1	
56582BB	Planet, A4LD/4R44E Forward (Steel) (3 Gear) Uses A Bearing # 232 (Has A 1 Piece Bearing Inside) 1990-Up	1	
56582BBK	Planet Kit, A4LD/4R44E Forward (Steel) (3 Gear) Can Use For All Planets (Contains: # 232, 881, 231, 882, 602, 592, 235 & 582) Has A 1 Piece Bearing Inside	1	
56582D	Planet, A4LD/4R44E Forward (Steel) (4 Gear) Uses An Integral Washer # 232 (Has A 3 Piece Bearing Inside) 1990-Up	1	E8TZ-7A398-A
56582DK	Planet Kit, A4LD/4R44E Forward (Steel) (4 Gear) (Can Use For All Planets) (Contains: # 232, 881, 231, 882, 602, 592, 235 & 582)	1	
56582DA	Planet, A4LD/4R44E Forward (Steel) (4 Gear) Uses A Bearing #232 (Has A 1 Piece Bearing Inside) 1990-Up	1	
56582DAK	Planet Kit, A4LD/4R44E Forward (Steel) (4 Gear) Uses A Bearing # 232 (Has A 1 Piece Bearing Inside) 1990-Up (Can Use For All Planets) (Contains: # 232, 881, 231, 882, 602, 592, 235 & 582)	1	
56582DB	Planet, A4LD/4R44E Forward (Steel) (4 Gear) Uses A Bearing # 232 (Has A 3 Piece Bearing Inside) 1990-Up	1	
56582E	Planet, A4LD/4R55E Forward (Steel) (6 Gear) Uses A .350" Thick Brass Washer # 232 (Has A 3 Piece Bearing Inside) 1990-Up	1	F0TZ-7A398-B
56582EK	Planet Kit, A4LD/4R55E Forward (Steel) (6 Gear) Can Be Used In Place Of Any Forward Planet 1990-Up (Contains: # 232, 881, 231, 882, 602, 592, 235 & 582)	1	
56582EA	Planet, A4LD/4R55E/5R55E Forward (Steel) (6 Gear) Uses A Bearing # 232 (Has A 1 Piece Bearing Inside) 1990-Up	1	XL2Z-7A398-AA
56582EAK	Planet Kit, A4LD/4R55E/5R55E Forward (Steel) (6 Gear) Uses A Bearing # 232 (Has A 1 Piece Bearing Inside) 1990-Up (Contains: # 232, 602, 235, 582) (Can Use For All Planets)	1	F0TZ-7A398-E
56584	Planet, C-3/A4LD /4R44E Rear (Aluminum) (3 Gear) 10 Driving Lugs	1	E7SZ-7D006-C
56584B	Planet, A4LD/4R44E Rear (Steel) (3 Gear) 10 Driving Lugs	1	
56584D	Planet, 4R44E Rear (Steel) (4 Gear) 10 Driving Lugs (Bearing Type) 1997-Up	1	E7SZ-7D006-C
56584EA	Planet, A4LD/4R55E Rear (Steel) (6 Gear) 30 Driving Lugs	1	F0TZ-7D006-A
56584G	Planet, 4R55E/5R55E Rear (Steel/Cast) (6 Gear) 10 Driving Lugs (Bearing Type)	1	XL2Z-7D006-AA
56590	Ring Gear, A4LD Overdrive Planet (Used W/Steel Caged Sprag)	1	E5TZ-7A153-A
56590B	Ring Gear, A4LD/4R44E/4R55E/5R55E/5R55N Overdrive Planet (Used W/Plastic Caged Sprag) (Uses 24 Teeth Sun Gear)	1	F3TZ-7A153-A
56592	Ring Gear, C-3/A4LD Forward Planet (Clutch Spline Length is 1 1/4") 1974-Up	1	D4ZZ-7D392-A
56592B	Ring Gear, A4LD/4R44E/4R55E/5R55E Forward Planet (Clutch Spline Length Is 1 5/8")	1	
56594	Ring Gear, C-3/A4LD/4R44E/4R55E/5R55E Rear Planet 1974-Up	1	D4ZZ-7A153-A
56602	Hub, C-3 Forward Ring Gear (57 Teeth) Uses A Washer # 235	1	
56602A	Hub, A4LD Forward Ring Gear (57 Teeth) Uses A Bearing # 235 (1.500"ID) 1985-E87	1	
56602B	Hub, A4LD Forward Ring Gear (57 Teeth) Uses A Bearing # 235 (1.587"ID) L1987-Up	1	E7TZ-7B067-A
56602C	Hub, A4LD/4R44E/4R55E/5R55E Forward Ring Gear (12 Small Teeth) L1987-Up	1	F8TZ-7B067-AC
56602D	Hub, A4LD/4R44E/4R55E/5R55E Forward Ring Gear (4 Small Teeth) L1987-Up	1	
56604	Hub, C-3/A4LD Rear Ring Gear (For Aluminum Planet) (1.235"OD Nose) 1974-Up	1	F0TZ-7D164-B
56604-1	Hub, C-3/A4LD Rear Ring Gear (For Aluminum Planet) (1.375"OD Nose) 1974-Up	1	
56604A	Hub, A4LD/4R44E Rear Ring Gear (For Steel Planet) (1.235"OD Nose)	1	
56604AA	Hub, A4LD/4R55E Rear Ring Gear (For Steel Planet W/Oil Dam) (1.590"OD Nose) (Uses A Washer # 254) Can Use 56604AC Or 56604ADK	1	F0TZ-7D164-C
56604AB	Hub, A4LD/4R55E Rear Ring Gear (For Steel Planet W/Oil Dam) (1.375"OD Nose)	1	
56604AC	Hub, A4LD/4R55E Rear Ring Gear (For Steel Planet W/Out Oil Dam) (1.590"OD Nose) Uses A Bearing # 254 (.855" Overall Height) Uses A Washer # 251 (Can Use 56604ADK)	1	
56604AD	Hub, 4R55E/5R55E Rear Ring Gear (For Steel Planet) (1.590"OD Nose) (.855" Overall Height) Uses A Bearing # 251	1	F7TZ-7D164-AD
56604ADK	Hub Kit, A4LD/4R44E/4R55E/5R55E Rear Ring Gear (For Steel Planet) (1.590"OD Nose) (Contains: 56604AD, 56223B, 56254C & 56254CA) Can Use In Place of 56604AA & 56604AC	1	
56610	Sun Gear, A4LD/4R44E/4R55E/5R55E Overdrive (24 Teeth) 1985-Up (Also Fits 5R55N)	1	F7RZ-7D063-AA
56612	Sun Gear, C-3/A4LD/4R44E Forward (2 Bushing Type) 1974-Up	1	D4ZZ-7D063-A
56612A	Sun Gear, A4LD/4R55E/5R55E Forward (4.0L) (No Bushing Type) L1989-Up	1	F0TZ-7D063-A
56622	Shell, C-3/A4LD/4R44E Driving (Except 4.0L) 1974-Up	1	D4AA-7D064-A
56622A	Shell, A4LD/4R55E Driving (4.0L) L1989-Up	1	F0TZ-7D064-A
56622B	Shell, A4LD Driving (W/2 Locking Lugs To Lock On The Direct Drum) L1989-94	1	F3TZ-7D064-A
56622C	Shell, 5R55E Driving 1997-2000	1	F7TZ-7D064-BB
56622D	Shell, 5R44E/5R55E Driving (W/24 Holes For ISS) 2001-Up	1	

FORD





# C-3 / A4LD / 4R44E / 4R55E / 5R55E

RWD 3-5 Speed

PART #	HARDPARTS (Continued)	QTY.	REFERENCE #
56630	Center Support, A4LD (Does Not Use A Bearing #226) 1985-92	1	E5TZ-7A130-A
S56630-2	Bushing, A4LD Center Support (Sonnax) Replacement Bushing (Use W 56630-2K Bushing Driver)	1	
S56630-2K	Bushing & Driver, A4LD Center Support (Sonnax) For Replacement Bushing Use S36630-2	1	
S56630-4	Sleeve, A4LD Center Support To Direct Drum (Steel Presses Onto The Center Support) (Sonnax)	1	
56630A	Center Support, A4LD (Uses A Bearing #226) W/Out Speed Sensor 1992-93	1	F3TZ-7A130-B
56630B	Center Support, A4LD/4R44E/4R55E (Uses A Bearing # 226) W/Speed Sensor 1993-Up	1	F5TZ-7A130-B
56630C	Center Support, 5R55E (Has A Caged Bearing In Ring Area)(With Speed Sensor) 1997-Up	1	F77Z-7A130-CB

PART #	SPRAGS & ONE WAY CLUTCHES	QTY.	REFERENCE #
56650	Sprag, A4LD Overdrive (.406" Wide Lugs) (Metal Cage) 1986-96	1	E5TZ-7A089-A
56650B	Sprag, A4LD/4R44E/4R55E Overdrive (.406" Wide Lugs) (Plastic Cage) L1989-Up	1	
56650C	Sprag, 4R44E/4R55E/5R55E (.460" Wide Lugs) (Plastic Cage) 1997-Up (With Brass Washer On One Side)	1	50001BW
56654	Sprag, C-3/A4LD/4R44E Rear (Except 4.0L) 1974-Up (Spring & Roller Kit)	1	
56654A	Sprag, A4LD/4R55E Rear (4.0L) (26 Lugs) (Plastic Cage W/2 Brass Washers) L1989-Up	1	
56654B	Sprag, 5R55E Rear (26 Lugs) 1997-Up	1	50004BW
56654H	Sprag, 4R44E Rear (16 Lugs) 1997-Up	1	50005BW

PART #	HARDPARTS (Continued)	QTY.	REFERENCE #
56664	Inner Race, C-3 Rear Sprag (Bolts In Case)	1	
56664A	Inner Race, A4LD/4R44E Rear Sprag (Roller Sprag) Presses In Case 1985-Up	1	
56664B	Inner Race, A4LD/4R55E/5R55E Rear Sprag (Lug Type Sprag) (4.0L) L1989-Up	1	
S56664BK	Sprag Update Kit, A4LD Inner Race, Washer & 2 End Caps (Replaces Loose Sprag Inner Races) 4.0L (Also Converts 2.8L, 2.9L & 3.0L Cases To 4.0L) (Sonnax)	1	56600B-01K
T-56600-DJ	Drill Jig, A4LD For Removing Rear Inner Race (Sonnax)	1	56600-DJ
56670	Input Shaft, C-3 1974-Up	1	D4ZZ-7017-C
56670A	Input Shaft, A4LD (9 7/8" Long) 1985-89	1	F0TZ-7017-D
56670B	Input Shaft, A4LD/4R44E/4R55E/5R55E (10" Long) (Retro-Fits) 1990-Up	1	XL2Z-7017-AA
56674	Center Shaft, A4LD Overdrive (Bushing Type) With .438"OD Pilot 1985-89	1	E5TZ-7A658-A
56674A	Center Shaft, A4LD/4R44E Overdrive (Bearing Type) With .392"OD Pilot 1990-Up (Except 4.0L) Uses Sprag With Metal Cage	1	F2TZ-7A658-A
56674B	Center Shaft, A4LD/4R55E Overdrive 4.0L (Bearing Type) With .392"OD Pilot 1990-Up Uses Sprag With Plastic Cage	1	F2TZ-7A658-B
56674C	Center Shaft, 5R55E Overdrive (Uses 24 Teeth Sun Gear) 1997-Up	1	XL2Z-7A658-AA
56674CK	Center Shaft Assembly, 5R55E Overdrive (Uses 24 Teeth Sun Gear) 1997-Up (Contains: 56674C, 56590B & 56650C)	1	
56678	Output Shaft, C-3 2WD (4 Cylinder)	1	E3TZ-7060-C
56678A	Output Shaft, C-3 2WD (V-6)	1	D9ZZ-7060-A
56678B	Output Shaft, A4LD 2WD (Bushing Type) Speed-O Gear Is 6 1/2" From Rear End Of Shaft	1	E9TZ-7060-D
56678C	Output Shaft, A4LD 2WD (Bushing Type) Speed-O Gear Is 3 1/2" From Rear End Of Shaft (W/Bolt On Yoke)	1	
56678CA	Output Shaft, A4LD 2WD (Bushing Type) Speed-O Gear Is 4 7/8" From Rear End Of Shaft (W/Bolt On Yoke)	1	
56678D	Output Shaft, A4LD 4x4 (Bushing Type)	1	E9TZ-7060-E
56678E	Output Shaft, A4LD/4R44E 2WD (Bearing Type) Speed-O Gear Is 4 7/8" From Rear End Of Shaft (Used With Sun Gear With 2 Bushings)	1	
56678EA	Output Shaft, A4LD/4R44E 2WD (Bearing Type) Speed-O Gear Is 6 1/2" From Rear End Of Shaft (Used With Sun Gear With 2 Bushings)	1	
56678G	Output Shaft, A4LD/4R44E 2WD (Bearing Type) Speed-O Gear Is 6 1/2" From Rear End Of Shaft (Used With Sun Gear With 2 Bushings) With Bolt On Yoke	1	
56678H	Output Shaft, A4LD/4R44E 4x4 (Bearing Type) Used With Sun Gear With 2 Bushings	1	
56678J	Output Shaft, A4LD/4R55E 2WD (Bearing Type) Speed-O Gear Is 4 7/8" From Rear End Of Shaft (Used With Sun Gear With No Bushings)	1	
56678JA	Output Shaft, A4LD/4R55E 2WD (Bearing Type) Speed-O Gear Is 6 1/2" From Rear End Of Shaft (Used With Sun Gear With No Bushings)	1	
56678L	Output Shaft, 4R55E/5R55E 4x4 (Bearing Type) (Used With Sun Gear With No Bushings)	1	
56678M	Output Shaft, 4R55E/5R55E 2WD (Bearing Type) (Used With Sun Gear With No Bushings) (Has No Speed-O Gear)	1	
56680	Governor, C-3 (4 Bolt) 1974-87	1	D9ZZ-7C063-A
56680A	Governor, A4LD (Small Land On Valve Is .385"OD) (Valve Has 1 Groove)	1	D8ZZ-7C063-A
56680AA	Governor, A4LD (Small Land On Valve Is .385"OD) (Valve Has 2 Grooves)	1	
56680AB	Governor, A4LD (Small Land On Valve Is .385"OD) (Valve Has 3 Grooves)	1	
56680B	Governor, A4LD (Small Land On Valve Is .326"OD) 1990-95 3.0L	1	E89Z-76063-B
56680C	Governor, A4LD (Small Land On Valve Is .314"OD) (Valve Has 1 Groove)	1	

FORD



# C-3 / A4LD / 4R44E / 4R55E / 5R55E

RWD 3-5 Speed

56680CA.....	Governor, A4LD (Small Land On Valve Is .314"OD) (Valve Has No Groove) .....	1	
56681-1.....	Governor Body, A4LD (Small Land On Valve Is .314"OD) 2.3L 1989-90 .....	1	E5ZZ-7C063-A
56681-1A.....	Governor Body, A4LD (.326"ID On Smaller Valve Bore).....	1	E89Z-7C063-A
56681-1B.....	Governor Body, A4LD (.385"ID On Smaller Valve Bore).....	1	D7RY-7C063-A
56681-2A.....	Governor Valve, A4LD (.314"OD On Small Land) No Groove .....	1	E8RY-7C054-B
56681-2AA.....	Governor Valve, A4LD (.314"OD On Small Land) 1 Groove .....	1	E7RY-7C054-A
56681-2B.....	Governor Valve, A4LD (.326"OD On Small Land) 1 Groove .....	1	E79Z-7C054-A
56681-2C.....	Governor Valve, A4LD (.385"OD On Small Land) 1 Groove .....	1	E0BZ-7C054-A
56681-2CA.....	Governor Valve, A4LD (.385"OD On Small Land) 2 Groove .....	1	D8FZ-7C054-A
56681-2CB.....	Governor Valve, A4LD (.385"OD On Small Land) 3 Groove .....	1	E3DZ-7C054-A
56681-3A.....	Governor Spring, A4LD (Brown) .....	1	D8BZ-7A302-A
56681-3C.....	Governor Spring, A4LD (Blue) .....	1	E89Z-7A302-A
56681-3D.....	Governor Spring, A4LD (White) .....	1	E7RY-7A302-A
56681-4A.....	Governor Weight, A4LD (30mm OD).....	1	E3DZ-7D324-A
56681-4B.....	Governor Weight, A4LD (35mm OD).....	1	D8BZ-7D324-A
56681-4C.....	Governor Weight, A4LD (38mm OD).....	1	D8ZZ-7D324-A
56685.....	Support, C-3/A4LD Governor (Except 4.0L) Cast Iron 1974-Up .....	1	D8ZZ-7D220-A
56685A.....	Support, A4LD Governor (4.0L) Forged Steel 1990-Up .....	1	
56685C.....	Support, 4R44E/4R55E Parking Gear 1995-Up.....	1	
56685D.....	Support, 5R55E Parking Gear (W/8 Spoke Reluctor) 1997-Up .....	1	XL2Z-7M176-AA
56698.....	Oil Dam, A4LD/4R55E/5R55E (4.0L) Output Shaft Sleeve.....	1	F0TZ-7B176-A
56740.....	Valve Body, C-3 1974-87.....	1	
56740A.....	Valve Body, A4LD W/1 Solenoid 1985-87 .....	1	
56740B.....	Valve Body, A4LD W/2 Solenoid 1988-94 .....	1	
56740C.....	Valve Body, 4R44E/4R55E/5R55E W/6 Solenoids 1995-Up.....	1	3L5Z-7A100-AA

PART #	VALVE BODY COMPONENTS	QTY.	REFERENCE #
56741-3.....	Spring, A4LD 4-3 Kickdown Spring .....	1	E5TZ-7E479-A
S56741-6K.....	End Plug Kit, A4LD (Small, Medium & Large) (14 Pieces) (Sonnax).....	1	
S56741A-1K.....	Relief Valves, A4LD/4R44E (In Valve Body) (10 Per Kit) (Sonnax).....	1	
56741A-3.....	Spring, A4LD Converter Clutch Lock-Up Spring .....	1	E5TZ-7L490-A
S56741AAK.....	Relief Valve Kit, 4R44E/4R55E/5R55E EPC & TCC (Sonnax)(Must Use T-37947-TL40 Tool) ..... (Contains: 1 Relief Spring, 1 Guide Spring & 1 Check Ball) .....	1	
T-37947-TL40.....	Tool For S56741AAK.....	1	
56741B-3.....	Spring, A4LD 2-3 Backout Spring (Light Blue).....	1	F3TZ-7D230-B
S56741B-1K.....	Boost Valve Kit, A4LD (High Ratio) With O-Rings (Sonnax) .....	1	56947-02K
S56741BA-1K.....	Boost Valve Kit, A4LD (Low Ratio) With O-Rings (Sonnax).....	1	56947-04K
S56741BB-1K.....	Boost Valve Kit, A4LD (High Ratio) W/Out O-Rings (Sonnax) Factory Style .....	1	
S56741BC-1K.....	Boost Valve Kit, A4LD (Low Ratio) W/Out O-Rings (Sonnax) Factory Style .....	1	
S56741BK.....	Baseline Rebuild Kit, 4R44E/4R55E/5R55E (Sonnax) (Boost Valve Assembly, Forward ..... Modulation Valve, 6 End Plugs, 4 Torlon Check Balls, O-Rings & Springs).....	1	
S56741C-3.....	Spring Kit, A4LD Anti-Shudder (2 Per Kit) (Sonnax) .....	1	56995A
56741C-4.....	Clip, A4LD Valve Retainer .....	1	E5AZ-7E335-A
S56741CA-1.....	Valve, 4R44E/4R55E/5R55E TCC Regulator (OE Style)(Sonnax) .....	1	
S56741CA-3K.....	Spring Kit, 4R44E/4R55E/5R44E/5R55E TCC Regulator Valve (Sonnax) (Contains: 5 Outer & ..... 5 Inner Springs).....	1	37947-46K
S56741D-4AK.....	Disc Retainer Set, A4LD Valve Retainer (Disc Shaped) (10 Per Set) (Sonnax) .....	1	
S56741D-4BK.....	Square Retainer Set, A4LD Valve Retainer (Square) (10 Per Set) (Sonnax) .....	1	
S56741D-4K.....	Retainer Pin Set, A4LD Valve Retainer Pin (L Shaped) (10 Per Set) (Sonnax).....	1	
S56741E-1AK.....	Boost Valve Kit, 4R44E/4R55E/5R44E/5R55E (Valve & Sleeve) (With Increased Ratio) Sonnax.....	1	
S56741E-1K.....	Boost Valve Kit, 4R44E/4R55E/5R44E/5R55E (Valve & Sleeve) (With OEM Ratio) Sonnax .....	1	
S56741E-7.....	Index Spool, A4LD (Slips Over Manual Valve, Allows S-Clip To Be Attached) (Sonnax).....	1	56947-01
44741G-5.....	Check Ball, A4LD/4R44E/4R55E/5R55E Valve Body (.250") (Torlon) .....	AR	
S56741JK.....	End Plug Kit, 4R44E/4R55E/5R55E Without O-Rings (Sonnax) (Contains: 1 Kick Downshift, ..... 1 Throttle Downshift, 1 Manual) .....	1	
56741M-1.....	Manual Valve, A4LD.....	1	E8TZ-7C389-A
56741NK.....	Throttle Kit, 4R44E/4R55E/5R55E (Use With The Correct Valve Body Plate #56747 & ..... Gaskets #56320 & 56321) .....	1	3L5Z-7M203-JA
S56741P-1K.....	Pressure Regulator Kit, A4LD (Fixes Worn Valve Body Bore) Contains: Pressure ..... Regulator Valve, 2 Springs, Boost Valve/Sleeve (Must Use Tool #T-56947-TL) (Sonnax) .....	1	
T-56947-TL.....	Reamer, A4LD Pressure Regulator Valve Bore Tool.....	1	
S56741P-3K.....	Spring Kit, 4R44E/4R55E/5R44E/5R55E (Main Pressure Regulator) (Elevates Pressure) ..... (20 Springs Per Kit) (Sonnax) .....	1	
S56741PAK.....	Pressure Regulator Kit, 4R44E/4R55E/5R44E/5R55E (Sonnax) (Contains: 1 Sleeve, 1 Retaining ..... Clip And 1 Spring) Must Use T-37947-TL5 .....	1	
T-37947-TL5.....	Reamer Kit, 4R44E/4R55E/5R44E/5R55E Pressure Regulator Sleeve (Sonnax) ..... (For S56741PAK) .....	1	
56741RK.....	Boost Valve & Sleeve, A4LD Reverse (Superior).....	1	
56741RAK.....	Boost Valve & Sleeve, 4R55E/5R55E Reverse (Superior) .....	1	

FORD



# C-3 / A4LD / 4R44E / 4R55E / 5R55E

RWD 3-5 Speed

PART #	VALVE BODY COMPONENTS (Continued)	QTY.	REFERENCE #
44741V-5	Check Ball, A4LD/4R44E/4R55E/5R55E Valve Body (.250") (Steel)	AR	
56741VAK	EPC & Engagement Control Kit, 4R44E/4R55E/5R55E (Sonnax) (Must Use T-37947-TL11)	1	
T-37947-TL11	Reamer Kit, 4R44E/4R55E/5R55E (Sonnax) (For S56741VAK)	1	

PART #	HARDPARTS (Continued)	QTY.	REFERENCE #
56747A	Plate, C-3 Valve Body Separator Plate 1974-87	1	
56747B	Plate, A4LD Valve Body Separator Plate 1985-86	1	
56747BA	Plate, A4LD Valve Body Separator Plate 1987-94	1	
56747C	Plate, 4R44E Valve Body Separator Plate 1995-96 (W/EPC Blow Off Hole Eliminated)		
	(Use W/D56741NK, D56320HA & D56321HA)	1	F5TZ-7A008-CA
56747CA	Plate, 4R44E Valve Body Separator Plate (1997 2.3L/3.0L OHV Ranger/Aerostar)		
	(W/EPC Blow-Off Hole Eliminated) (Use W/D56741NK, D56320HA & D56321HA)	1	F77Z-7A008-AB
56747D	Plate, 4R55E/5R55E Valve Body Separator Plate (1997 4.0L Ranger/Aerostar)		
	(W/EPC Blow Off Hole Eliminated) (Use W/56741NK, D56320HA & D56321HA)	1	F77Z-7A008-CB
56747DA	Plate, 4R55E/5R55E Valve Body Separator Plate (1997 Explorer/Mountaineer 4.0L OHV)		
	(W/EPC Blow-Off Hole Eliminated) (Use W/D56741NK, D56320HA & D56321HA)	1	F77Z-7A008-DB
56747DB	Plate, 4R55E/5R55E Valve Body Separator Plate (1997 Explorer/Mountaineer 4.0L SOHC)		
	(W/EPC Blow-Off Hole Eliminated) (Use W/D56741NK, D56320HA & D56321HA)	1	F77Z-7A008-EB
56747E	Plate, 4R44E Valve Body Separator Plate (1998-01 2.5L Ranger) (W/EPC Blow Off Hole Eliminated) W/Bonded Gaskets (Use W/D56741NK)	1	1L5Z-7Z490-DA
56747EA	Plate, 4R44E Valve Body Separator Plate (1998-00 3.0L Ranger) (W/EPC Blow Off Hole Eliminated) W/Bonded Gaskets (Use W/D56741NK)	1	1L5Z-7Z490-EA
56747EB	Plate, 5R44E Valve Body Separator Plate (2001-02 2.3L Ranger) (W/EPC Blow Off Hole Eliminated) W/Bonded Gaskets (Use W/D56741NK)	1	1L5Z-7Z490-AA
56747EC	Plate, 5R44E Valve Body Separator Plate (2001-02 3.0L Ranger) (W/EPC Blow Off Hole Eliminated) W/Bonded Gaskets (Use W/D56741NK)	1	1L5Z-7Z490-BA
56747F	Plate, 4R55E/5R55E Valve Body Separator Plate (1998-00 4.0L EI Ranger) (W/EPC Blow Off Hole Eliminated) W/Bonded Gaskets (Use W/D56741NK)	1	1L5Z-7Z490-FA
56747FA	Plate, 4R55E/5R55E Valve Body Separator Plate (1998-00 4.0L EI Explorer) (W/EPC Blow Off Hole Eliminated) W/Bonded Gaskets (Use W/D56741NK)	1	1L5Z-7Z490-GA
56747FB	Plate, 4R55E/5R55E Valve Body Separator Plate (1998-00 4.0L SOHC) (W/EPC Blow Off Hole Eliminated) W/Bonded Gaskets (Use W/D56741NK)	1	1L5Z-7Z490-HA
56747FC	Plate, 4R55E/5R55E Valve Body Separator Plate (2001-02 4.0L SOHC) (W/EPC Blow Off Hole Eliminated) W/Bonded Gaskets (Use W/D56741NK)	1	1L5Z-7Z490-CA
56750A	Bell Housing, C-3 (2.8L V-6)	1	
56750AB	Bell Housing, C-3 (4 Cylinder) (Top Bolts 4 1/4") 3 Bolt Starter (Cast # 74DT-7A834)	1	
56750AD	Bell Housing, C-3 (4 Cylinder) (Top Bolts 5 1/8") 3 Bolt Starter	1	
56750B	Bell Housing, A4LD (4 Cylinder) Hex Head Pump Bolts (3 Bolt Starter) 1985-87 (2 Top Bell Engine Bolts Are 4 1/4" Center To Center)(Cast # 85GT-7A834-AC)	1	
56750BA	Bell Housing, A4LD (4 cylinder) Allen Head Pump Bolts (3 Bolt Starter) 1988-Up (Top Bolts 4 1/4")	1	
56750C	Bell Housing, A4LD (4 Cylinder) Hex Head Pump Bolts (3 Bolt Starter) 1985-87 (2 Top Bell Engine Bolts Are 5 1/8") Bell Thickness From Front To Back is 6 1/2"	1	
56750CA	Bell Housing, A4LD (4 Cylinder) Allen Head Bolts (3 Bolt Starter) 1988-Up (2 Top Bell To Engine Bolts Are 5 1/8" Center To Center) Bell Thickness From Front To Back is 6 1/2"	1	
56750CB	Bell Housing, A4LD (4 Cylinder) Allen Head Bolts (3 Bolt Starter) 1988-Up (2 Top Bell To Engine Bolts Are 5 1/8" Center To Center) Bell Thickness From Front To Back is 6 7/8"	1	
56750D	Bell Housing, A4LD (2.8L, 2.9L, V-6) Hex Head Pump Bolts (2 Starter Bolts Are 4 1/8" Center To Center) 1985-87 (2 Top Bell To Engine Bolts Are 3 3/8" Center To Center)	1	
56750DA	Bell Housing, A4LD (2.8L/ 2.9L, V-6) Hex Head Pump Bolts (2 Starter Bolts Are 5 1/4" Center To Center) 1985-87 (2 Top Bell To Engine Bolts Are 3 3/8" Center To Center)	1	
56750DB	Bell Housing, A4LD (4.0L V-6) Hex Head Pump Bolts (2 Starter Bolts Are 5 1/4" Center To Center) 1985-87 (2 Top Bell To Engine Bolts Are 3 3/8" Center To Center)	1	
	Cast #90GT-7A834	1	
56750DC	Bell Housing, A4LD (2.8L, 2.9L, V-6) Allen Head Pump Bolts (2 Starter Bolts Are 4 1/8" Center To Center)1988-94 (2 Top Bell To Engine Bolts Are 3 3/8" Center To Center)	1	
56750DD	Bell Housing, A4LD (2.8L, 2.9L, V-6) Allen Head Pump Bolts (2 Starter Bolts Are 5 1/4" Center To Center) 1988-94 (2 Top Bell To Engine Bolts Are 3 3/8" Center To Center)	1	
	(Cast # 85GT-7A834-AA)	1	
56750DE	Bell Housing, A4LD (4.0L, V-6) Allen Head Pump Bolts (2 Starter Bolts Are 5 1/4" Center To Center) 1988-94 (Cast # 90GT-7A834-AA)	1	
56750E	Bell Housing, A4LD (3.0L V-6) Hex Head Pump Bolts (3 Bolt Starter) 1985-87 (2 Top Engine Bolts Are 4 3/4" Center To Center)	1	E79Z-7976-A
56750EA	Bell Housing, A4LD (3.0L V-6) Allen Head Pump Bolts (3 Bolt Starter) 1988-Up (2 Top Bell To Engine Bolts Are 4 3/4" Center To Center)	1	
56750G	Bell Housing, 4R44E (2.3L) (Top Bolts Are 4 1/4") 6 Bolt Pump 1995-96 (W/3 Bolt Starter) (Cast # 95GT-7A834-DC)	1	

FORD



# C-3 / A4LD / 4R44E / 4R55E / 5R55E

RWD 3-5 Speed

56750H.....	Bell Housing, 4R44E (3.0L) (Top Bolts Are 4 3/4") 6 Bolt Pump 1995-96 (W/3 Bolt Starter) .....(Cast # 95GT-7A834-CB or 95GT-7976-CB).....	1	
56750J.....	Bell Housing, 4R55E (4.0L) (Top Bolts Are 3 3/8") 6 Bolt Pump 1995-96 (W/2 Bolt Starter) .....(Cast # 95GT-7A834-BB).....	1	
56750L.....	Bell Housing, 5R55E (4.0L) (Top Bolts Are 3 3/8") 6 Bolt Pump 1997-99 .....(Cast #97GT-7A834-AC).....	1	
56750M.....	Bell Housing, 5R44E (2.3L) (Round Bell) 6 Bolt Pump 2000-Up (Square Starter Hole) .....(Cast #RF1L5P).....	1	
56760.....	Case, C-3 1974-87.....	1	
56760A.....	Case, A4LD (Roller Type Sprag) (Uses A 1/4" Pipe Thread Cooler Fitting) 1985-95.....	1	E7TZ-7005-N
56760B.....	Case, A4LD (Roller Type Sprag) (Uses A 16.5mm Thread Cooler Fitting For A 22mm Wrench) .....1985-94.....	1	
56760C.....	Case, A4LD 4.0L (Lug Type Sprag) L1989-94.....	1	F0TZ-7005-F
56760G.....	Case, 4R44E 2.3L & 3.0L (Roller Type Sprag) 1995-Up.....	1	
56760H.....	Case, 4R55E 4.0L (Lug Type Sprag) 1995-Up.....	1	
56760M.....	Case, 5R55E (Uses 1 Overdrive & 1 Output Sensor) 1997.....	1	
56760MA.....	Case, 5R55E (Uses 1 Output Speed Sensor) 1997-00.....	1	F77Z-7005-DB
56760MB.....	Case, 5R55E (No Sensors On Case) 1997-00.....	1	
56760MD.....	Case, 5R55E (Uses 1 ISS Sensor In Middle Of Case) 2001-Up (Also Uses 1 Output .....Speed Sensor On Rear Side Of Case)(Has 13mm Pan Bolt Heads).....	1	1L5Z-7005-FA
56760ME.....	Case, 5R55E (Uses 1 ISS Sensor In Middle Of Case) 2001-Up (Also Uses 1 Output Speed .....Sensor On Rear Side Of Case)(Has 8mm Pan Bolt Heads).....	1	

PART #	CASE COMPONENTS	QTY.	REFERENCE #
S56000-CS6...	Crank Shaft Spacer, For 2.8L/2.9L/4.0" (With A4LD) (Sonnax) (6 Bolt).....	1	
S56000-CS8...	Crank Shaft Spacer, A4LD/4R44E/4R55E/5R44E/5R55E (8 Bolt).....	1	
S56761-2CK...	Sleeve, A4LD/4R44E/4R55E/5R55E Shift Linkage Shaft (W/1 Sleeve, 1- 3mm Pin, .....1- .125" Pin) Use With T-56361-TL (Sonnax).....	1	
T-56361-TL.....	Tool Kit, For S56761-2CK.....	1	
S56761-2RS...	Sleeve, C-3/A4LD/4R44E/4R55E/5R55E Rear Servo Bore (Presses In Case At Rear .....Servo Bore) Sell 56912-S Also (The Rear Servo Piston Must Be Machined .....For This Sleeve) (Sonnax).....	1	
T-TK56RTD.....	Tool Kit, AOD/AODE/4R70W Shift Linkage Pin Remover & Installer (Teckpak).....	1	
56761P-4.....	Manual Lever Pin, A4LD (E840125S).....	1	E8401125-S

PART #	HARDPARTS (Continued)	QTY.	REFERENCE #
56765.....	Pan, C-3 1974-87.....	1	
56765A.....	Pan, A4LD 2WD 1985-88.....	1	
56765AA.....	Pan, A4LD 2WD 1989-Up.....	1	
56765AB.....	Pan, A4LD/4R44E/4R55E 4x4 1985-96.....	1	
56765G.....	Pan, 4R44E/4R55E 2WD 1995-Up.....	1	
56765H.....	Pan, 4R44E/4R55E 4x4 1997-Up.....	1	
56770.....	Extension Housing, C-3 2WD (Speed-O Hole Is 5 3/4" From Rear Seal, On Drivers .....Side) 1974-87.....	1	
56770A.....	Extension Housing, C-3 2WD (Speed-O Hole Is 4 1/8" From Rear Seal, On Drivers .....Side) 1974-87.....	1	
56770B.....	Extension Housing, A4LD/4R44E/4R55E 2WD (Speed-O Hole Is 5 3/4" From Rear Seal, .....On Drivers Side) 1985-Up (Cast # 85GT-7A041-CA).....	1	E5TZ-7A039-C
56770BA.....	Extension Housing, 4R44E/4R55E 2WD (Speed-O Hole Is 5 3/4" From Rear Seal, On .....Drivers Side) 1995-Up (Cast # 95GT-7A040-BAR).....	1	
56770BC.....	Extension Housing, A4LD/4R44E/4R55E 2WD (No Speed-O Hole) 1990-Up.....	1	
56770C.....	Extension Housing, A4LD/4R44E/4R55E 4x4 (Cast # 85GT) 1985-Up.....	1	E5TZ-7A039-B
56770CA.....	Extension Housing, A4LD/4R44E/4R55E 4x4 (Cast # 90GT) 1990-Up.....	1	F0TZ-7A039-B
86774B.....	Speed-O Housing, A4LD/4R44E/4R55E (With 2 Pin Connector)(.871"OD Housing Below O-Ring) .....(Less Speed-O Driven Gear)(Does Not Use A Cable).....	1	
26775.....	Converter Nut, A4LD/4R44E/4R55E/5R44E/5R55E Flange Type (Standard Thread).....	1	
56776K.....	Bolt Set, A4LD Bell To Case.....	1	
56778K.....	Bolt Set, A4LD Pump To Bell (Hex Head).....	1	
56778AK.....	Bolt Set, A4LD Pump To Bell (Allen Head).....	1	
56778H.....	Bolt, 4R44E/4R55E/5R55E Pump To Case (Tork Head).....	1	W701429-S309M
56778HK.....	Bolt Set, 4R44E/4R55E/5R55E Pump To Bell.....	1	
56778K.....	Bolt Set, A4LD Pump To Bell (Hex Head).....	1	
56779K.....	Bolt Set, A4LD/4R44E/4R55E/5R55E Pan To Case (18).....	1	
56781K.....	Bolt Set, A4LD/4R44E/4R55E/5R55E Extension Housing To Case.....	1	
56782E.....	Bolt, 4R44E/4R55E/5R55E/5R55E Holds Filter On.....	1	
56782K.....	Bolt Set, A4LD Valve Body.....	1	
56782HK.....	Bolt Set, 4R44E/4R55E/5R55E Valve Body.....	1	
56783E.....	Bolt, 4R44E/4R55E/5R55E Holds Input Speed Sensor To Center Support (Uses A Star Bit).....	1	
56783K.....	Bolt & Nut Set, A4LD/4R44E/4R55E/5R55E Center Support (Allen Bolt).....	1	

FORD





# C-3 / A4LD / 4R44E / 4R55E / 5R55E

RWD 3-5 Speed

PART #	HARDPARTS (Continued)	QTY.	REFERENCE #
56790K	Bolt Set, A4LD Governor To Support	1	
56843	Bracket, A4LD (For Modulator)	1	
56843B	Bracket, 4R44E/4R55E/5R55E Holds Solenoid To Valve Body	1	XL4Z-7L491-AA
56853	Rubber Cushion, C-3/A4LD (.330" Thick) (Sets In Forward Piston 1974-89	1	D8ZZ-7B070-A
56853A	Rubber Cushion, A4LD/4R44E/4R55E (.299" Thick) (Sets In Forward Piston) 1990-95	1	F0TZ-7B077-A
56861	Snap Ring, A4LD/4R44E/4R55E/5R55E Holds Overdrive Clutch In Drum (.054") (Also Direct Drum)	1-2	E860126S
56861A	Snap Ring, A4LD/4R44E/4R55E/5R55E Holds Overdrive Clutch In Drum (.068") (Also Direct Drum)	1-2	E860127S
56861B	Snap Ring, A4LD/4R44E/4R55E/5R55E Holds Overdrive Clutch In Drum (.082") (Also Direct Drum)	1-2	E860128S
56861C	Snap Ring, A4LD/4R44E/4R55E/5R55E Holds Overdrive Clutch In Drum (.096") (Also Direct Drum)	1-2	E860129S
56862	Snap Ring, A4LD/4R44E/4R55E/5R55E Holds Overdrive Clutch Spring Retainer In Drum	1	E860125S
56868	Snap Ring, A4LD/4R44E/4R55E/5R55E Holds Overdrive Ring Gear To Hub	1	W702037-S
56876A	Snap Ring, C-3/A4LD/4R44E/4R55E/5R55E Holds Forward Clutch In Drum (.065")	1	
56876B	Snap Ring, C-3/A4LD/4R44E/4R55E/5R55E Holds Forward Clutch In Drum (.080")	1	
56877	Snap Ring, C-3/A4LD/4R44E/4R55E/5R55E Holds Forward Clutch Spring Retainer In Drum	1	
56878	Use 56861	1	
56879	Snap Ring, C-3/A4LD/4R44E/4R55E/5R55E Holds Direct Clutch Spring Retainer In Drum	1	
56881	Snap Ring, C-3/A4LD/4R44E/4R55E/5R55E Holds Hub To Front Planet	1	D4ZZ-7A480-A
56882	Snap Ring, C-3/A4LD/4R44E/4R55E/5R55E Holds Front Ring Gear To Hub	1	E860122-S
56883	Snap Ring, A4LD/4R44E/4R55E/5R55E Holds Center Support To Case	1	W702465-S300
56884	Snap Ring, C-3/A4LD/4R44E/4R55E/5R55E Holds Sun Gear In Shell	2	E860121-S
56887E	Snap Ring, 4R44E/4R55E/5R55E Holds Connector In Case	1	
56889	Snap Ring, C-3/A4LD/4R44E/4R55E/5R55E Holds Rear Hub To Rear Ring Gear	1	E806122-S
56890	Snap Ring, C-3/A4LD/4R44E Holds Rear Planet In Reverse Drum (Except 4.0L)(.060" Thick)	1	W702037-S300
56893	Snap Ring, C-3/A4LD/4R44E Holds Rear Sprag To Reverse Band Drum (Except 4.0L)	1	
56894	Snap Ring, C-3/A4LD Holds Rear Hub To Output Shaft (.046")	1	
56894A	Snap Ring, A4LD/4R44E/4R55E/5R55E Holds Rear Hub To Output Shaft (.077")	1	E860527-S
56896	Snap Ring, C-3/A4LD/4R44E/4R55E/5R55E Holds Intermediate & Overdrive Servo Cover In Case	1-2	E860343-S
56901	Spring, C-3/A4LD/4R44E/4R55E/5R55E Intermediate & Overdrive Servo	1-2	
56901A	Spring, C-3/A4LD/4R44E/4R55E/5R55E Intermediate & Overdrive Servo (Orange)	1-2	D4ZZ-7D028-A
56901AA	Spring, C-3/A4LD/4R44E/4R55E/5R55E Intermediate & Overdrive Servo (Yellow)	1-2	F0TZ-7D028-A
56901AB	Spring, C-3/A4LD/4R44E/4R55E/5R55E Intermediate & Overdrive Servo (Blue)	1-2	E0BZ-7D028-A
56901AC	Spring, C-3/A4LD/4R44E/4R55E/5R55E Intermediate & Overdrive Servo (Green)	1-2	E3TZ-7D028-A
56902AA	Piston, C-3/A4LD/4R44E/4R55E/5R55E Intermediate & Overdrive Servo (Molded) (1.625"ID) Cover Cast# FB) Piston Cast # 90GT-7E221-F1A	1-2	F0TZ-7D021-B
56902AB	Piston, C-3/A4LD/4R44E/4R55E/5R55E Intermediate & Overdrive Servo (Molded) (1.690"ID) Cover Cast# EB) Piston Cast # 90GT-7E221-B1A	1-2	F0ZZ-7D021-A
56902AC	Piston, C-3/A4LD/4R44E/4R55E/5R55E Intermediate & Overdrive Servo (Molded) (1.750"ID) Cover Cast# DB) Piston Cast # 90GT-7E221-D1A	1-2	F0TZ-7D021-A
56902AD	Piston, C-3/A4LD/4R44E/4R55E/5R55E Intermediate & Overdrive Servo (Molded) (1.812"ID) Cover Cast# CA/CB Piston Cast #	1-2	E3ZZ-7D021-A
56902AE	Piston, C-3/A4LD/4R44E/4R55E/5R55E Intermediate & Overdrive Servo (Molded) (1.920"ID) Cover Cast# BA/BB Piston Cast # 83DT-7E221-B1A	1-2	F2ZZ-7D021-A
56902AG	Piston, C-3/A4LD/4R44E/4R55E/5R55E Intermediate & Overdrive Servo (Molded) (2.075"ID) Cover Cast# AA/AB Piston Cast # 78DT-83DT-7E221-A1A/A2A	1-2	D4ZZ-7D021-A
56902AJ	Piston, C-3/A4LD/4R44E/4R55E/5R55E Intermediate & Overdrive Servo (Molded) (2.317"ID) Cover Cast# ZC Piston Cast # ZA)	1-2	F77Z-7D021-ZA
56902K	Servo & Cover, A4LD/4R44E/4R55E/5R55E (2.075) Servo Kit	1-2	
56904AA	Servo Cover, C-3/A4LD/4R44E/4R55E/5R55E Intermediate & Overdrive (1.625"ID Of Cover) Cast #FB	1-2	
56904AB	Servo Cover, C-3/A4LD/4R44E/4R55E/5R55E Intermediate & Overdrive (1.690"ID Of Cover) Cast #EB	1-2	
56904AC	Servo Cover, C-3/A4LD/4R44E/4R55E/5R55E Intermediate & Overdrive (1.750"ID Of Cover) Cast #DB	1-2	
56904AD	Servo Cover, C-3/A4LD/4R44E/4R55E/5R55E Intermediate & Overdrive (1.812"ID Of Cover) Cast #CA or CB	1-2	
56904AE	Servo Cover, C-3/A4LD/4R44E/4R55E/5R55E Intermediate & Overdrive (1.920"ID Of Cover) Cast #BA or BB	1-2	
56904AG	Servo Cover, C-3/A4LD/4R44E/4R55E/5R55E Intermediate & Overdrive (2.075"ID Of Cover) Cast #AA or AB	1-2	E2ZZ-7D052-A
56904AJ	Servo Cover, C-3/A4LD/4R44E/4R55E/5R55E Intermediate & Overdrive (2.310"ID Of Cover) Cast #ZC	1-2	F77Z-7D027-ZC

FORD



# C-3 / A4LD / 4R44E / 4R55E / 5R55E

RWD 3-5 Speed

56910.....	Servo Assembly, C-3/A4LD/4R44E/4R55E/5R55E Reverse (1 Groove) .....	1	D7ZZ-7D189-C
56910A.....	Servo Assembly, C-3/A4LD/4R44E/4R55E/5R55E Reverse (2 Groove) .....	1	D7ZZ-7D189-A
56910B.....	Servo Assembly, C-3/A4LD/4R44E/4R55E/5R55E Reverse (No Groove).....	1	D7ZZ-7D189-B
56910C.....	Servo Assembly, 4R44E/4R55E/5R55E Reverse (1 Groove) (No Spring).....	1	
56911.....	Spring, C-3/A4LD/4R44E/4R55E/5R55E Reverse Servo .....	1	D4ZZ-7D031-A
56912.....	Piston, C-3/A4LD/4R44E/4R55E Reverse Servo (1 Groove) .....	1	
56912A.....	Piston, C-3/A4LD/4R44E/4R55E Reverse Servo (2 Groove) .....	1	
56912-S.....	Piston, C-3/A4LD/4R44E/4R55E/5R55E Reverse Servo (Machined For The Sonnax Sleeve #S56761-2RS) .....	1	
56914.....	Cover, C-3/A4LD/4R44E/4R55E/5R55E Reverse Servo .....	1	
56915.....	Band Strut Set, A4LD/4R44E/4R55E/5R55E Overdrive Band (Band Lever #A) .....	1	
56915A.....	Band Strut Set, A4LD/4R44E/4R55E/5R55E Overdrive Band (Band Lever #C).....	1	
56915B.....	Band Strut Set, A4LD/4R44E/4R55E/5R55E Overdrive Band (Band Lever #D).....	1	
56915C.....	Band Strut Set, A4LD/4R44E/4R55E/5R55E Overdrive Band (Band Lever #E).....	1	
56915D.....	Band Strut Set, A4LD/4R44E/4R55E/5R55E Overdrive Band (Band Lever #G).....	1	
56916.....	Band Strut Set, C-3/A4LD/4R44E/4R55E/5R55E Intermediate Band (Band Lever Cast # A) .....	1	
56916A.....	Band Strut Set, C-3/A4LD/4R44E/4R55E/5R55E Intermediate Band (Band Lever Cast # C).....	1	
56916B.....	Band Strut Set, C-3/A4LD/4R44E/4R55E/5R55E Intermediate Band (Band Lever Cast # D).....	1	
56916C.....	Band Strut Set, C-3/A4LD/4R44E/4R55E/5R55E Intermediate Band (Band Lever Cast # E).....	1	
56916D.....	Band Strut Set, C-3/A4LD/4R44E/4R55E/5R55E Intermediate Band (Band Lever Cast # G).....	1	
56916E-2.....	Strut, A4LD/4R55E/5R55E Intermediate Band (4.0L) Apply .....	1	
S56917-3K.....	Rear Band Anchor Pin Set, A4LD/4R44E/4R55E/5R55E (10 Pins & 1 Reamer) (Sonnax) .....	1	56521-K
26922.....	Nut, C-3/A4LD/4R44E/4R55E/5R55E Band Adjustment Nut (Coarse Threads).....	1-2	380850-S
56961.....	Piston, A4LD Overdrive Drum (Lathe Cut Seal Type) 1985-87 (Cast # 74DT)(4 1/4"OD) (Also Fits A4LD/4R44E/4R55E/5R55E Direct Drum).....	1-2	E8TZ-7A262-A
56961A.....	Piston, A4LD/4R44E/4R55E Overdrive Drum (Lip Seal Type) 1988-Up (Cast # 88DT & Some 74DT) (Also Fits A4LD/4R44E/4R55E/4R55E Direct Drum) .....	1-2	
56961B.....	Piston, A4LD/4R44E/4R55E/5R55E Direct Clutch (4 1/2"OD)(Lip Seal Type)(Cast # 90DT) .....	1	
56961C.....	Piston, 5R55E Overdrive Drum (Cast # 97GT)(4 7/8"OD) 1997-Up .....	1	
56964.....	Piston, C-3/A4LD/4R44E/4R55E/5R55E Forward Clutch .....	1	
56965.....	Piston, C-3 Direct Clutch 1974-87 .....	1	F0TZ-7A262-B
56965A.....	Use 56861 .....	1	
56965D.....	Piston, A4LD/4R44E/4R55E/5R55E Direct Drum (Cast # 90DT) 1985-Up (4 1/2"OD).....	1	
56971.....	Spring, C-3/A4LD/4R44E/4R55E/5R55E Overdrive & Direct Clutch Return .....	20	F1TZ-7A480-B
56971K.....	Spring Kit, C-3/A4LD/4R44E/4R55E/5R55E Overdrive & Direct Clutch Return (20 Springs) .....	1	
56981.....	Retainer, A4LD/4R44E/4R55E Overdrive & Direct Drum Spring .....	1-2	ESTZ-7A527-A
56981A.....	Retainer, 5R55E Overdrive & Direct Drum Spring 1997-Up .....	1-2	
56984.....	Retainer, C-3/A4LD/4R44E/4R55E Forward Clutch Spring .....	1	
56985.....	Use 56981 .....	1	
56991.....	Linkage, A4LD Internal With Park Rod (Kickdown Lever Is .370"OD) .....	1	E6TZ-7A247-A
56991-1.....	Lever W/Shaft, A4LD Kickdown (Internal)(.370"OD Shaft) .....	1	
56991A.....	Linkage, 4R44E/4R55E/5R55E Internal With Park Rod .....	1	
56991A-1.....	Lever W/Shaft, A4LD Kickdown (Internal)(.350"OD Shaft) .....	1	
56991B.....	Linkage, A4LD Internal W/Park Rod (Kickdown Lever Is .350"OD) .....	1	
56991BA-4.....	Shaft, 4R44E/4R55E/5R55E Manual Lever 1995-Up .....	1	
T-TK56RTD.....	Tool Kit, A4LD/4R44E/4R55E/5R55E Shift Linkage Pin Remover & Installer (Teckpak) .....	1	
56992AA.....	Lever With Shaft, A4LD Shift (External) Bronco II, Explorer & Ranger 1985-88 .....	1	E5TZ-7A256-A
56992AB.....	Lever With Shaft, A4LD Shift (External) Aerostar 1985-91 .....	1	E5TZ-7A256-B
56992AC.....	Lever With Shaft, A4LD Shift (External) Mustang 1987-93 .....	1	F3ZZ-7A256-A
56992AD.....	Lever With Shaft, A4LD Shift (External) Thunderbird 1987-93 .....	1	E7SZ-7A256-A
56992AE.....	Lever With Shaft, A4LD Shift (External) Explorer W/4.0L 1989-94 .....	1	E9TZ-7A256-B
56992AG.....	Lever With Shaft, A4LD Shift (External) Aerostar 1992-94 .....	1	F3TZ-7A256-B
56992BA.....	Lever W/Out Shaft, 4R44E/4R55E/5R55E Shift (External) 1995-Up .....	1	
56995.....	Park Pawl Assembly, A4LD/4R44E/4R55E/5R55E (Park Pawl Is .370" Thick) .....	1	
56995A.....	Park Pawl Assembly, A4LD/4R44E/4R55E/5R55E (Park Pawl Is .305" Thick) .....	1	
76996.....	Fitting, A4LD/4R44E/4R55E/5R44E/5R55E Cooler (1/4" Pipe Thread, Screw-in Pipe Thread Screws Into Case) (For A 5/16" Push-in Cooler Line) .....	2	
76996A.....	Fitting, A4LD/4R44E/4R55E/5R44E/5R55E Cooler (16.5mm Thread, Screw In Thread Screws Into Case) (For A 5/16" Push In Cooler Line) (Uses A 22mm Wrench) .....	2	

FORD