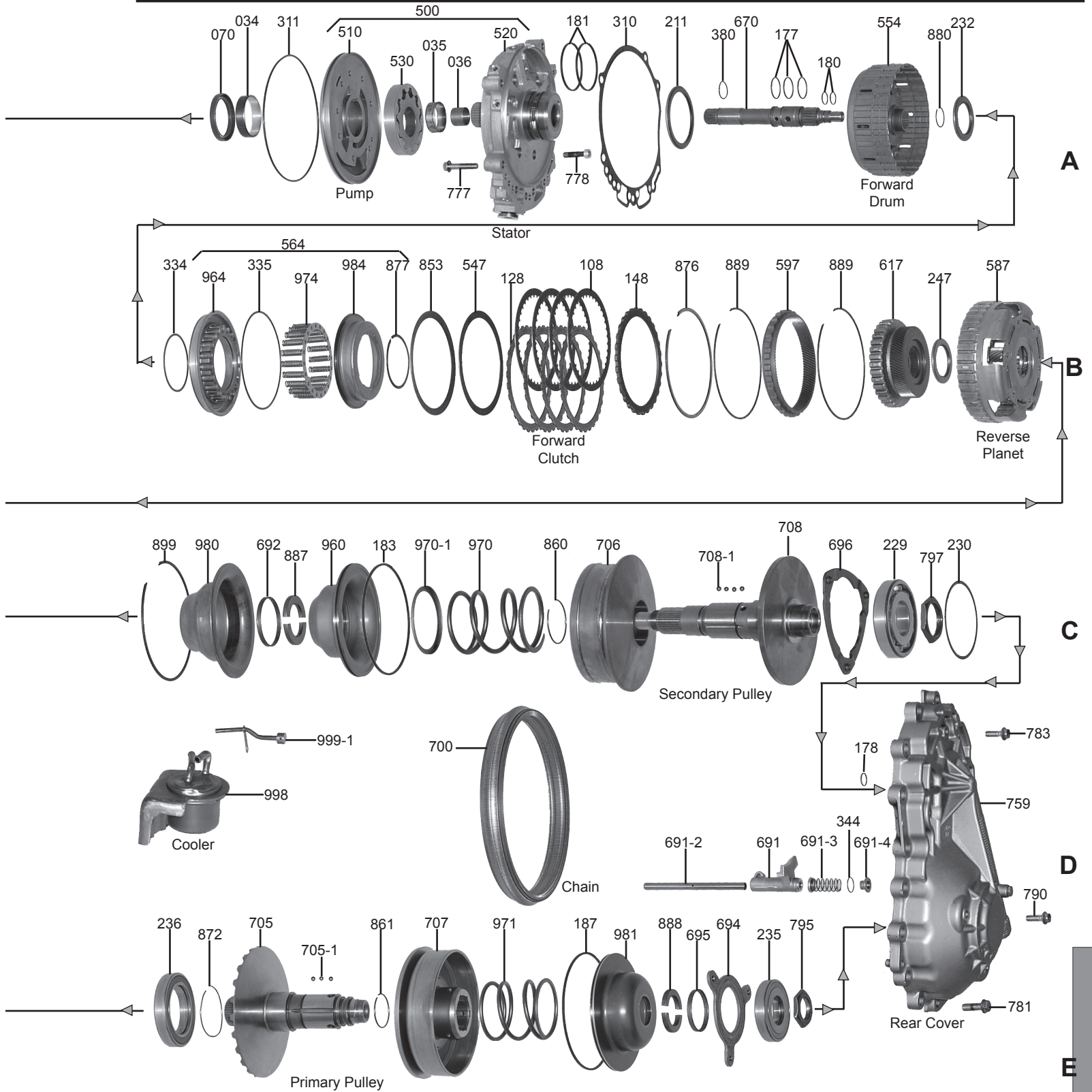


JATCO / NISSAN



JATCO / NISSAN

REOF09A / JF011E / F1CJA



FWD CVT

PART #	OVERHAUL KIT	QTY	REFERENCE #
203002A	Overhaul Kit, REOF09A 2003-06 (For Bonded Pistons Sell A203960AK)	1	
PART #	MASTER L/STEELS KIT	QTY	REFERENCE #
203004A	Master L/Steels Kit, REOF09A 2003-06 (For Bonded Pistons Sell A203960AK)	1	
PART #	MASTER W/STEELS KIT	QTY	REFERENCE #
203006A	Master W/Steels Kit, REOF09A 2003-06 (For Bonded Pistons Sell A203960AK)	1	
PART #	FILTERS	QTY	REFERENCE #
203010A	Filter, REOF09A (Fits A Deep Steel Pan) 2003-Up	1	
203010B	Filter, REOF09A (Fits A Deep Aluminum, Ribbed Pan) 2003-Up	1	
PART #	BUSHINGS	QTY	REFERENCE #
203034A	Bushing, REOF09A Pump Body (1.920"ID)(Babbitt) 2003-Up	1	
203035A	Bushing, REOF09A Inner Pump Gear (.560"Wide)(1.558"OD)(1.360"ID)(Babbitt) 2003-Up	1	
203036A	Bushing, REOF09A Stator (Front) (.675"Wide)(.925"ID)(Babbitt) 2003-Up	1	
PART #	METAL CLAD SEALS	QTY	REFERENCE #
203070A	Seal, REOF09A Front (Pump) (.315"Thick)(2.530"OD)(1.905"ID) 2003-Up	1	
203072A	Seal, REOF09A Manual Shaft (.275"Thick)(.870"OD)(.460"ID) 2003-Up	1	
203076A	Seal, REOF09A Axle (Bell Housing Side)(.620"Thick)(2.330"OD)(1.275"ID) 2003-Up	1	
203077A	Seal, REOF09A Axle (Case Side) (.535"Thick)(2.330"OD)(1.505"ID) 2003-Up	1	
PART #	FRICTIONS	QTY	REFERENCE #
203108A	Friction, REOF09A Forward Clutch (.061")(36 Teeth)(5.430"OD) 2003-Up	4	
203110A	Friction, REOF09A Reverse Clutch (.062")(40 Teeth)(7 1/16"OD) 2003-Up	4	
203119A	Friction Module, REOF09A 2003-Up	1	
PART #	STEELS	QTY	REFERENCE #
203128A	Steel, REOF09A Forward Clutch (.055")(30 Teeth)(4.710"ID) 2003-Up	4	
203130A	Steel, REOF09A Reverse Clutch (.054")(12 Teeth)(6 7/16"ID) 2003-Up	4	
203131A	Steel, REOF09A Reverse Clutch (.073")(3 Teeth)(6 7/16"ID)(Dished) 2003-Up	4	
203139A	Steel Module, REOF09A 2003-Up	1	
PART #	PRESSURE PLATES	QTY	REFERENCE #
203148A	Pressure Plate, REOF09A Forward Clutch (.140")(30 Teeth)(4.719"ID) 2003-Up	1	
203150A	Pressure Plate, REOF09A Reverse Clutch (.140")(12 Teeth)(6 1/2"OD) 2003-Up	1	
PART #	SEALING RINGS	QTY	REFERENCE #
203177AT	Sealing Ring, REOF09A Input Shaft (.069"Thick)(1.120"OD)(Teflon) 2003-Up	3	
203178AT	Sealing Ring, REOF09A Rear Cover To Secondary Pulley Shaft (.665"OD)(Teflon) 2003-Up	1	
203180AT	Sealing Ring, REOF09A Input Shaft (Rear)(.063"Thick)(.665"OD)(Teflon) 2003-Up	1-2	
203181AT	Sealing Ring, REOF09A Stator To Forward Clutch Drum (.084"Thick)(2.510"OD)(Teflon) 2003-Up	2	
203183AT	Sealing Ring, REOF09A Secondary Pulley Piston (.103"Thick)(5.865"OD)(Teflon) 2003-Up	1	
203187AT	Sealing Ring, REOF09A Primary Pulley Piston (.103"Thick)(6.220"OD)(Teflon) 2003-Up	1	
PART #	WASHERS & BEARINGS	QTY	REFERENCE #
203211A	Bearing W/Races, REOF09A Stator To Forward Clutch Drum (.155"Thick)(3.340"OD)(2.660"ID) 2003-Up	1	
203228A	Caged Needle Bearing, REOF09A Secondary Pulley Shaft To Bell Housing (1.020"Thick) (2.050"OD)(Cast # HTFVP26Z-1G NSK)(10 Rollers) 2003-Up	1	
203229A	Ball Bearing, REOF09A Secondary Pulley (Rear) To Rear Cover (.825"Thick)(4.133"OD) (1.770"ID)(Cast # NSK B45-111E) 2003-Up	1	
203230A	Shim, REOF09A Secondary Pulley Bearing # 229 To Rear Cover (Selective)(4.113"OD) (3.780"ID) 2003-Up	1	

JATCO / NISSAN



203232A	Bearing W/Races, REOF09A Forward Drum To Sun Gear Hub (.149"Thick)(2.390"OD)(1.580"ID)2003-Up (Also Fits REOF09A # 247 & # 255).....	1-3
203235A	Ball Bearing, REOF09A Primary Pulley (Rear) To Rear Cover (.589"Thick)(3.305"OD)(1.268"ID)(Cast # NSK 32TM12U40AL) 2003-Up.....	1
203236A	Ball Bearing, REOF09A Primary Pulley (Front) To Case (.667"Thick)(3.942"OD)(2.560"ID)(Cast # 65TM02U40A NSK) 2003-Up.....	1
203247A	Use 203232A.....	1
203255A	Use 203232A.....	1
203273A	Use 203280A.....	1
203274A	Use 203281A.....	1
203276A	Shim, REOF09A Pinion Cup Race To Case (Selective)(2.422"OD)(2.050"ID) 2003-Up.....	1
203280A	Cup Race, REOF09A Pinion Shaft (Front)(.665"Thick)(2.440"OD)(Cast # KOYO 32206J OrSTJ3062)(Bell Housing Side) 2003-Up (Also Fits REOF09A Pinion Shaft (Rear) # 2732003-Up).....	1-2
203281A	Cone Bearing, REOF09A Pinion Shaft (Front)(1.180"ID)(16 Roller)(Cast # KOYO STA3062-1)(Bell Housing Side) 2003-Up (Also Fits REOF09A Pinion Shaft (Rear) # 274 2003-Up).....	1-2
203288A	Use 203291A.....	1
203289A	Use 203292A.....	1
203291A	Cup Race, REOF09A Differential To Bell Housing (.628"Thick)(2.950"OD)(Cast # KOYOSTA4575) 2003-Up (Also Fits REOF09A Differential To Case # 288 2003-Up).....	1-2
203292A	Cone Bearing, REOF09A Differential To Bell Housing (1.722"ID)(23 Rollers)(Cast # KOYOSTA4575-1) 2003-Up (Also Fits REOF09A Differential To Case # 289 2003-Up).....	1-2

PART #	GASKETS & RUBBER COMPONENTS	QTY	REFERENCE #
203300A	Gasket, REOF09A Bottom Pan (Metal With Bonded Paper)(20 Bolt Holes) 2003-Up.....	1	
203310A	Gasket, REOF09A Pump Stator To Case (Metal) 2003-Up.....	1	
203311A	O-Ring, REOF09A Pump Body (.115"Thick)(6 7/8"OD) 2003-Up.....	1	
203380A	O-Ring, REOF09A Input Shaft (Front)(.070"Thick)(.955"OD) 2003-Up.....	1	

PART #	ELECTRICAL COMPONENTS	QTY	REFERENCE #
203410A	Park/Neutral Switch, REOF09A (With TFT)(Cast # PA66-GF30)(7 Prong Connector) 2003-Up.....	1	
203414A	Sensor, REOF09A Secondary Pressure (A-FPS A)(3 Prong Connector)(Screws Onto ValveBody) 2003-Up.....	1	
203415A	Sensor, REOF09A Primary Pressure (FPS B)(3 Prong Connector)(Screws Into Case InsideBottom Pan) 2003-Up.....	1	
203425A	Solenoid, REOF09A TCC (2 Blade Connector)(1 Bolt Plastic Bracket) 2003-Up.....	1	
203425AA	Solenoid, REOF09A TCC (2 Blade Connector)(1 Bolt Metal Bracket) 2003-Up.....	1	
203428A	Use 203435A.....	1	
203428AA	Use 203435AA.....	1	
203430A	Solenoid, REOF09A Lock-up Select (1 Bolt Metal Bracket) 2003-Up.....	1	
203435A	Solenoid, REOF09A Line Pressure B (Cast # 06Z05-2) 2003-Up (Also Fits REOF09A LinePressure A # 428 2003-Up).....	1-2	
203435AA	Solenoid, REOF09A Line Pressure B (Cast # Bosch 0 260 130 030 On Plastic Connector)2003-Up (Also Fits REOF09A Line Pressure A # 428 2003-Up).....	1-2	
203436A	Sensor, REOF09A VSS (3 Prong Connector) 2003-Up.....	1	
203446-1AA	Wire Harness, REOF09A Internal (2 Piece Type)(22 Prong Case Connector, With 1 TwentyThree Wire Connector & 1 Three Wire Connector) 2003-Up (This Goes With 203446AA).....	1	
203446A	Wire Harness, REOF09A Internal (1 Piece Type)(22 Prong Case Connector, With 4 TwoProng Connectors, 2 Three Prong Connectors, 1 Five Prong Connector, 1 Six ProngConnector, 1 Seven Prong Connector & Primary Speed Sensor, With 3 Ground Straps)2003-Up.....	1	
203446AA	Wire Harness, REOF09A Internal (2 Piece Type) 23 Prong HarnessConnector, 4 Two ProngConnectors, 1 Three Prong Connectors, 1 Five Prong Connectors, 1 Six Prong Connectors,1 Seven Prong Connector, & Primary Speed Sensor, With 3 Ground Straps) 2003-Up(This Goes With 203446-1AA).....	1	
203452A	Ratio Control Motor, REOF09A (Stepper Motor)(6 Prong Connector)(Cast # SM01 3128)(With 2 Bolt Bracket) 2003-Up.....	1	
203469A	ROM Assembly, REOF09A (5 Prong Connector)(1.335"Wide Plastic Body, With 3 MetalTabs That Holds Metal Bracket On) 2003-Up.....	1	
203469AA	ROM Assembly, REOF09A (5 Prong Connector)(1.405" Wide Plastic Body, With 4 MetalTabs That Holds Metal Bracket On) 2003-Up.....	1	

PART #	MISCELLANEOUS COMPONENTS	QTY	REFERENCE #
203492A	Drain Plug, REOF09A Bottom Pan (19MM Hex Head)(Fits Steel Pan) 2003-Up.....	1	
203492AA	Drain Plug, REOF09A Bottom Pan (10MM Allen Head)(Fits Aluminum Pan) 2003-Up(Also Fits REOF09A Rear Plug # 493 2003-Up).....	1-2	
203493A	Use 203492AA.....	1	

JATCO / NISSAN

REOF09A / JF011E / F1CJA



FWD CVT

PART #	HARDPARTS	QTY	REFERENCE #
203500A	Pump Assembly, REOF09A (Cast # 6Y17 On Cover) 2003-Up	1	
203510A	Pump Body, REOF09A (Cover)(Cast Iron)(Cast # 6Y17) 2003-Up	1	
203520A	Stator W/Gears, REOF09A (Aluminum)(7 Bolts To Case) 2003-Up	1	
203530A	Pump Gear Set, REOF09A (10 Teeth Inner, 11 Teeth Outer Gear)(.620"Thick)(3.760"OD) 2003-Up	1	
203547A	Spacer, REOF09A Forward Clutch Cushion (.044")(5.506"OD)(4.735"ID) 2003-Up (Used With U203853A)	1	
203554A	Drum, REOF09A Forward Clutch (4 Clutch)(Uses 30 Teeth Steels) 2003-Up	1	
203564A	Piston Kit, REOF09A Forward Clutch (Contains: # 964, 974, 984, & 877) 2003-Up	1	
203566A	Piston Kit, REOF09A Reverse Clutch (Contains: # 966, 976, 893)(Bonded Piston) 2003-Up	1	
203587A	Planet, REOF09A Reverse (4 Gear)(40 Spline Clutch Hub) 2003-Up	1	
203587AA	Planet, REOF09A Reverse (6 Gear)(40 Spline Clutch Hub) 2003-Up	1	
203597A	Ring Gear, REOF09A Reverse Planet (110 Teeth)(.730"Thick)(30 Outer Lugs) 2003-Up	1	
203617A	Sun Gear, REOF09A Reverse Planet (82 Teeth)(3.730"OD Gear)(36 Spline Clutch Hub) 2003-Up	1	
203670A	Input Shaft, REOF09A (8"Long) (Uses 3 Large & 1 Small Teflon Rings & 1 O-Ring) 2003-Up	1	
203670AA	Input Shaft, REOF09A (8"Long) (Uses 3 Large & 2 Small Teflon Rings & 1 O-Ring) 2003-Up	1	
203690A	Park Gear, REOF09A (8 Outer Lugs)(.575"Thick)(3.115"OD) 2003-Up	1	
203691-2A	Guide Pin, REOF09A Ratio Control Motor Follower (.390"OD)(5.725"Long) 2003-Up	1	
203691-3A	Spring, REOF09A Ratio Control Motor Follower Return (1.615"Long) 2003-Up	1	
203691-4A	Spring Seat, REOF09A Ratio Control Motor Follower Spring (.385"Thick)(.815"OD) 2003-Up	1	
203691A	Ratio Control Motor Follower, REOF09A (Aluminum)(2.695"Long) 2003-Up	1	
203692A	Retainer, REOF09A Holds Horse Shoe Clips In Secondary Pulley (.231"Thick)(2.623"OD) (2.443"ID)(Steel) 2003-Up	1	
203693A	Bracket, REOF09A Holds Bearing # 228 To Bell Housing (2 Bolt)(.098"Thick)(4.010"Long) (2.238"Wide) 2003-Up	1	
203693AA	Bracket, REOF09A Holds Bearing # 228 To Bell Housing (1 Bolt)(.115"Thick)(1.400"Long) (1.610"Wide) 2003-Up	1	
203694A	Bracket, REOF09A Holds Bearing # 235 To The Rear Cover (3 Bolt)(2.380"ID) 2003-Up	1	
203695A	Retainer, REOF09A Holds Horse Shoe Clips # 888 To Shaft (.245"Thick)(2.225"OD)(2.050"ID) 2003-Up	1	
203696A	Bracket, REOF09A Holds Bearing # 229 To The Rear Cover (3 Bolt)(3.950"ID) 2003-Up	1	
203700A	Belt, REOF09A/REOF09B (JF010E)(Nissan CVT) 2003-Up	1	
203705A	Primary Pulley Half, REOF09A With Shaft (7 5/8"Long)(7"OD)(Front Half) 2003-Up	1	
203705-1A	Use 205705A-1	9	
205705-1A	Steel Ball, REOF09A Pulley Guides (.236"OD)(Primary Pulley Takes 9 Balls)(Secondary Pulley Takes 12 Balls) 2003-Up	9-21	
203706A	Secondary Pulley Half, REOF09A (3.130"Thick)(7"OD)(Front Half) 2003-Up	1	
203707A	Primary Pulley Half, REOF09A (2.705"Thick)(7"OD)(Rear Half) 2003-Up	1	
203708-1A	Use 205705A-1	12	
203708A	Secondary Pulley Half, REOF09A With Shaft (11 3/8"Long)(7"OD)(Rear Half) 2003-Up	1	
203710A	Gear, REOF09A Drive Transfer (28 Teeth)(3.080"OD)(Splined ID) 2003-Up	1	
203712A	Gear, REOF09A Driven Transfer (43 Teeth)(4.595"OD)(Splined ID) 2003-Up	1	
203715A	Differential Assembly, REOF09A (64 Teeth Ring Gear)(10 Bolt)(1.245"ID Axle Hole) 2003-Up	1	
203716A	Differential Housing, REOF09A (Less Ring Gear)(10 Bolt)(1.245"ID Axle Hole) 2003-Up	1	
203720A	Ring Gear, REOF09A Differential (64 Teeth)(10 Bolt)(8 3/8"OD) 2003-Up	1	
203730A	Pinion Shaft, REOF09A (19 Teeth)(5.190"Long) 2003-Up	1	
203740A	Valve Body, REOF09A (With 4 Solenoids)(Cast # FYO#2A On The Solenoid Side) 2003-Up	1	
203740AA	Valve Body, REOF09A (With 4 Solenoids)(Cast # FYO#1B On The Solenoid Side) 2003-Up	1	
203750A	Bell Housing, REOF09A (3" Top Bolts)(Cast # VQ2 & ACO)(Uses A 1 Bolt Bracket # 693) 2003-Up	1	
203750AA	Bell Housing, REOF09A (3" Top Bolts)(Cast # VO2 & AKO)(Uses A 2 Bolt Bracket # 693) 2003-Up	1	
203759A	Rear Cover, REOF09A (Aluminum)(18 Bolt)(Cast # AKO #1) 2003-Up	1	
203760A	Case, REOF09A (Cast # AKO # 3) (2 Big Bosses By The Cooler Are 2" Apart) 2003-Up	1	
203760AA	Case, REOF09A (Cast # ACO # 2) (2 Big Bosses By The Cooler Are 3 1/4" Apart) 2003-Up	1	
203765A	Pan, REOF09A Bottom (Steel) 2003-Up	1	
203765AA	Pan, REOF09A Bottom (Aluminum) 2003-Up	1	
203776AK	Bolt Set, REOF09A Bell Housing To Case (27 Pieces) 2003-Up	1	
203777AK	Bolt Set, REOF09A Stator To Case (7 Pieces) 2003-Up	1	
203778AK	Bolt Set, REOF09A Pump Body To Stator (8 Pieces) 2003-Up	1	
203779AAK	Bolt Set, REOF09A Bottom Pan (20 Pieces)(Fits Aluminum Pan) 2003-Up	1	
203779AK	Bolt Set, REOF09A Bottom Pan (20 Pieces)(Fits Steel Pan) 2003-Up	1	
203781AK	Bolt Set, REOF09A Rear Cover To Case (18 Pieces) 2003-Up	1	
203783AK	Bolt Set, REOF09A Holds Bearing Retainer # 696 To Rear Cover (3 Pieces) 2003-Up	1	
203786AK	Bolt Set, REOF09A Differential Ring Gear To Housing (10 Pieces) 2003-Up	1	
203790AK	Bolt Set, REOF09A Holds Bearing Retainer # 694 To Rear Cover (3 Pieces) 2003-Up	1	
203791AK	Bolt Set, REOF09A Valve Body To Case (11 Pieces) 2003-Up	1	

JATCO / NISSAN



203793AK	Bolt Set, REOF09A Filter (10 Pieces) 2003-Up	1
203794AK	Bolt Set, REOF09A Holds Park Rod Detent In (2 Pieces) 2003-Up	1
203795A	Nut, REOF09A Holds Bearing # 235 To Primary Pulley Shaft (46mm)(.275"Thick)(1.140"ID) 2003-Up	1
203796A	Nut, REOF09A Pinion Shaft (32mm)(.730"Thick)(1.442"OD) 2003-Up	1
203797-1A	Nut, REOF09A Holds Drive Transfer Gear To Secondary Pulley Shaft (50mm)(.470"Thick) (1.220"ID) 2003-Up	1
203797A	Nut, REOF09A Holds Bearing # 229 To Secondary Pulley Shaft (55mm)(.327"Thick) (1.730"ID) 2003-Up	1
203799-1A	Jam Nut, REOF09A Holds Manual Lever Nut On Shaft (14mm)(.320"Thick) 2003-Up	1
203799A	Nut, REOF09A Holds Lever On Manual Shaft (19mm)(.320"Thick) 2003-Up	1
203853A	Cushion, REOF09A Forward Clutch (.057"ID)(5.506"OD)(4.740"ID)(Dished) 2003-Up (Used With U203547A Spacer)(Takes 1)	1
203853AA	Cushion, REOF09A Forward Clutch (.070"ID)(5.506"OD)(4.740"ID)(Waved) 2003-Up (Takes 2, Does Not Use # 547)	2
203860A	Snap Ring, REOF09A Holds The Steel Ball Pulley Guides In The Secondary Pulley (.099"Thick)(2.334"OD) 2003-Up	1
203861A	Snap Ring, REOF09A Holds The Steel Ball Pulley Guides InThe Primary Pulley (.091"Thick)(2.043"OD) 2003-Up	1
203872A	Snap Ring, REOF09A Holds Bearing # 236 To The Primary Pulley Shaft (Hidden) (.078"Thick)(2.685"OD) 2003-Up	1
203876A	Snap Ring, REOF09A Holds Forward Clutch Pressure Plate In Drum (Selective) (5.845"OD) 2003-Up	1
203877A	Snap Ring, REOF09A Holds Forward Clutch Spring Retainer In Drum (.039"Thick) (2.820"OD) 2003-Up	1
203880A	Snap Ring, REOF09A Holds Input Shaft To Forward Clutch Drum (.047"Thick)(1.062"OD) 2003-Up	1
203887A	Horse Shoe Clips, REOF09A Holds Secondary Pulley Piston In Secondary Pulley Front Half (.236"Thick)(2.436"Long)(2 Pieces) 2003-Up	1
203888A	Horse Shoe Clips, REOF09A Primary Pulley Shaft (Rear)(.263"Thick)(2.042"Long) (2 Pieces) 2003-Up	1
203889A	Snap Ring, REOF09A Holds Ring Gear To Forward Drum (.070"Thick)(5.930"OD) 2003-Up (Takes 2)	2
203892A	Snap Ring, REOF09A Holds Reverse Clutch Pressure Plate In (Selective)(.094"Thick) (7 3/4"OD) 2003-Up	1
203893A	Snap Ring, REOF09A Holds Reverse Clutch Spring Retainer In (.070"Thick)(7 9/16"OD) 2003-Up	1
203899A	Snap Ring, REOF09A Holds Retainer In Front Secondary Pulley Half (.083"Thick)(6 5/16"OD) 2003-Up	1
203960A	Piston, REOF09A Secondary Pulley (2.366"Thick)(5.859"OD)(1.770"ID)(Steel) 2003-Up	1
203960AK	Piston Kit, REOF09A (CVT) FWD/AWD (Bonded) 2002-Up	1
203964A	Piston, REOF09A Forward Clutch (Aluminum)(.872"Thick)(5.510"OD)(2.775"ID)(20 Spring Pockets) 2003-Up	1
203966A	Piston, REOF09A Reverse Clutch (Bonded)(1.830"Thick)(7"OD)(4.970"ID)(24 Spring Studs) 2003-Up	1
203970-1A	Spring Seat, REOF09A Secondary Pulley Piston Return Spring (3.577"OD)(3.009"ID) 2003-Up	1
203970A	Coil Spring, REOF09A Secondary Pulley Piston Return Spring (4.175"Long)(3.429"OD) 2003-Up	1
203971A	Coil Spring, REOF09A Primary Pulley Piston Return Spring (3.168"Long)(3.177"OD) 2003-Up	1
203974A	Spring & Retainer, REOF09A Forward Clutch Return (1.286"Thick)(3.957"OD)(20 Springs) 2003-Up	1
203976A	Spring & Retainer, REOF09A Reverse Clutch Return (1.095"Thick)(7 1/16"OD) 2003-Up	1
203980A	Retainer, REOF09A Secondary Pulley Piston (2.500"Thick)(5.949"OD)(2.000"ID)(Steel) 2003-Up	1
203981A	Piston/Retainer, REOF09A Primary Pulley (1.694"Thick)(6.214"OD)(1.530"ID)(Steel) 2003-Up	1
203984A	Retainer/Piston, REOF09A Forward Clutch Spring (Bonded)(.895"Thick)(5.045"OD) (2.715"ID) 2003-Up	1
203991-1A	Lever, REOF09A Manual Shaft To Valve Body (1.150"Long) 2003-Up	1
203991-2A	Detent Spring, REOF09A Rooster Comb (1 Bolt)(3.495"Long) 2003-Up	1
203991-3A	Rooster Comb, REOF09A (With 5 Detents)(.475"ID Hole) 2003-Up	1
203991-4A	Manual Shaft, REOF09A (15 3/4" Long)(.460"OD) 2003-Up	1
203991-5A	Pin, REOF09A Holds Manual Shaft In Place (.156"OD)(1.980"Long) 2003-Up	1
203991-6A	Detent, REOF09A Park Rod Actuator (2 Bolt) 2003-Up	1
203991-8A	Sleeve, REOF09A Manual Shaft To Valve Body (.510"Thick)(.590"OD)(.475"ID) 2003-Up	1
203994A	Park Rod Actuator, REOF09A (1.470"Long) 2003-Up	1
203995A	Park Pawl Assembly, REOF09A (Contains: # 995-1, 995-2, 995-3 & 991-6) 2003-Up	1

RE0F09A / JF011E / F1CJA



FWD CVT

PART #	HARDPARTS (CONTINUED)	QTY	REFERENCE #
203998A	Cooler, RE0F09A Transmission External (Steel)(On Rear Of Case) 2003-Up	1	
203998AA	Cooler, RE0F09A Transmission External (Aluminum)(On Rear Of Case) 2003-Up	1	
203999-1A	Oil Tube, RE0F09A Bolt To The Rear Of Case (1 Bolt)(3.860"Long) 2003-Up	1	
203999-6A	Oil Tube, RE0F09A On Bell Housing For Front Pinion Bearing Lube (Copper)(.250"OD) (Tips Are 6 3/4" Apart) 2003-Up	1	

JATCO / NISSAN

FWD CVT



RE0F09A / JF011E / F1CJA

JATCO / NISSAN